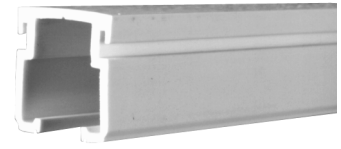
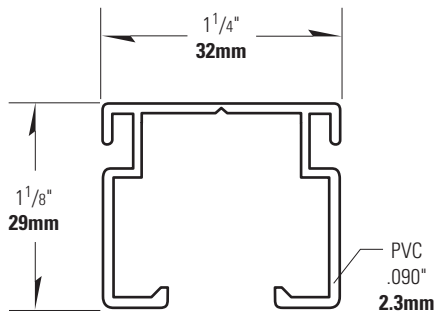


Whisper Cube™ Cubicle Track



Product
Guide ①



- ① Heavy duty extruded white PVC vinyl track offers quieter operation providing a more peaceful environment for patients and residents
- ① Can be used with the Locking Switch Unit
- ① Exclusive Gridclips which allow fastening of the track to suspended ceilings without the use of screws or backing, are included with every order
- ① Splices and bends available for quick on-site installation
- ① Manufactured in 7' (2.1m), 8' (2.44m), 9' (2.74m), 12' (3.66m) or 16' (4.88m) lengths to accommodate any application

IPC.501/REV.6

Whisper Cube

Suggested Specifications

PART 1 - GENERAL

1.01 SUMMARY

A. Cubicle Tracking Systems

1.02 SECTION INCLUDES

A. Whisper Cube Cubicle Tracking System

1. Overhead rigid vinyl curtain track and guides
2. Track accessories and attachments

1.03 SUBMITTALS

- A. Product Data: Manufacturer's printed product data for each type of cubicle tracking system specified.
- B. Detail Drawings: Mounting details with the appropriate fasteners for specific project substrates.
- C. Samples: Verification samples of cubicle track, 4" (102mm) long, in full size, with carriers and end cap.
- D. Manufacturer's Installation Instruction: Printed installation instructions for each cubicle tracking system.

1.04 DELIVERY, STORAGE AND HANDLING

- A. Deliver materials in unopened factory packaging to the jobsite.
- B. Inspect materials at delivery to assure that specified products have been received.
- C. Store in original packaging in a climate controlled location away from direct sunlight.

1.05 PROJECT CONDITIONS

- A. Environmental Requirements: Products must be installed in an interior climate controlled environment.

1.06 WARRANTY

- A. Standard Clicketze Limited Lifetime Warranty against material and manufacturing defects.

PART 2 - PRODUCTS

2.01 MANUFACTURER

- A. Acceptable Manufacturer: Clicketze, InPro Corporation, PO Box 406 Muskego, WI 53150 USA; Telephone: 800-222-5556, Fax: 888-715-8407, Internet address: <http://www.inprocorp.com>
- B. Substitutions: Not permitted
- C. Provide all cubicle tracking systems from a single source.

2.02 TRACK MATERIAL

A. Cubicle Tracking System

1. Whisper Cube, heavy duty extruded rigid vinyl cubicle track with white finish. Dimensions: height 1 1/8" (29mm), width 1 1/4" (32mm).
CE900007 - 7 foot length (2.1m)
CE900008 - 8 foot length (2.44m)
CE900009 - 9 foot length (2.74m)
CE900012 - 12 foot length (3.66m)
CE900016 - 16 foot length (4.88m)

2. Bent sections: Provide factory bent track sections with one-foot radii to mate with straight track sections:
CE9061 - 1' x 1', 60° bend
CE9042 - 2' x 2', 45° bend
CE9092 - 2' x 2', 90° bend
CE9093 - 3' x 3', 90° bend
CE9094 - 4' x 4', 90° bend.

2.03 TRACK COMPONENTS

- A. Track Attachment: Provide appropriate attachment accessories as required for ceiling grid members.

1. Flush Gridclip: Flush panel T-bar gridclip;
CE9270 - Standard
CE9272 - Swivel
CE9274 - Suspended Support Set
2. Tegular Gridclip: Tegular edge gridclip;
CE9271 - Standard
CE9273 - Swivel
CE9275 - Suspended Support Set
- B. Track Splice: Provide extruded aluminum splice, with white powder coat finish, to join track sections.
CE9050 - Track Splice
- C. End Caps: Provide molded thermoplastic end caps for end of track section.
CE9080 End Cap
CE9100 End Cap with hook
- D. Locking Switch Unit: Provide switch to reduce need for extra curtain and track material. Switch includes a spring action shuttle with two pull chains.
CE1275 - Locking Switch Unit
- E. Wands: Provide wand to move curtain along the track.
CE9224: Adjustable Chain Wand
24" (609mm)
CE100702: Drapery Wand 33"
CE100679: Drapery Wand 36"
CE100698: Drapery Wand 48"
- F. Curtain Carriers: Provide carriers with non-binding nylon rollers to accurately fit track. Carriers to be fitted to curtain to prevent accidental curtain removal. 2.2 carriers per lineal foot of track length, plus one extra carrier.
CE9025 - Solid Hook Carrier
CE9038 - Ball and Chain Carrier
- G. Psychiatric Care Curtain Carriers: Provide non-binding canted wheel carrier of self-lubricating Delrin, fitted to curtain with "pop-out hook" for safety. 2.2 carriers per lineal foot of track length.
CE9026 - Pop Out Carrier

- H. Adjustable Drop Chain: Provide drop chain and adjust to accommodate curtain at desired height for air/steam circulation.
CE9039 - Adjustable Drop Chain
1. Tie Backs: Provide curtain tie back to hold curtain back.
CE9251 - Curtain Tie Back - 48" (1.22m) long chain
Fabric Tie Back - 3" x 18", 3/4" white velcro each end.

PART 3 - EXECUTION

3.01 EXAMINATION

- A. Examine areas and conditions in which the cubicle tracking systems will be installed.

1. Complete all finishing operations, including painting, before beginning installation of cubicle tracking system materials.
2. Verify that surface and above ceiling supports are ready to receive work.

3.02 PREPARATION

- A. General: Prior to installation, clean substrate to remove dust, debris and loose particles.

3.03 INSTALLATION

- A. General: Locate the cubicle track as indicated on the approved detail drawing for the appropriate substrate and in compliance with the Clicketze installation instructions.
- B. Installation of Cubicle Tracking Systems:
 1. Install cubicle track, secure, rigid, and true to ceiling line.
 2. Slide carriers onto the track.
 3. Install end cap or stop device.
 4. Secure or suspend track to ceiling system. Install with mechanical fasteners or Gridclips.
 5. Install curtains on carriers ensuring smooth operation.

3.04 CLEANING

- A. At completion of the installation, remove any debris and clean surfaces in accordance with the Clicketze clean up and maintenance instructions.

P.O. Box 406 · Muskego, Wisconsin 53150 USA

inprocorp.com

Nationwide **800.222.5556**/Fax 888.715.8407

International Sales **262.679.5521** / Fax 262.679.5524