

FIRE PROTECTION EQUIPMENT

2006 JL INDUSTRIES INCORPORATED
SAMSON PRODUCTS INCORPORATED

2006

10 44 00/JLI
Buyline 3398



JL INDUSTRIES
INCORPORATED

A Division of
ACTIVAR
INC.

Construction Products Group

SPEC EASE™
PRODUCT SPECIFICATION **MADE EASY**

www.jlindustries.com

ABOUT J.L. INDUSTRIES & SAMSON PRODUCTS

J.L. Industries has led the way in fire protection and other specialty products for commercial construction since 1947. For over 40 years, Samson Products has been a leader in the fire protection industry. The affiliation of both companies came together under the flagship of Activar Construction Product Group when Samson was added in 1985. Together, J.L. Industries and Samson Products along with our Activar affiliates, Thomas Enterprises in Ft. Myers, FL, and our J.L. warehouses in Lancaster, PA, Dallas, TX and Atlanta GA, offer the widest variety of cabinets and the largest stock of fire cabinets in the industry.

Our large selection of products and quality of workmanship meet the high standards required in the marketplace and we offer the shortest lead time in the industry. We offer a **3-DAY QUICK SHIP PROGRAM** on our most popular cabinets from any of our six factories or warehouse distribution locations. When those special projects require custom sizes and designs, take advantage of our versatile manufacturing capabilities.

VERSATILE MANUFACTURING CAPABILITIES

J.L. Industries introduced **FIRE-FX™** in 1991 offering the construction industry the first fire rated extinguisher cabinet. J.L. also was the first company to introduce a cabinet specifically designed to comply with the Americans with Disabilities Act (ADA) of 1990 – the ADAC cabinet.

Our involvement with such organizations as National Fire Prevention Association (NFPA), Door and Hardware Institute (DHI), Construction Specifiers Institute (CSI), Fire Equipment Manufacturers' Association (FEMA), National Association of Fire Equipment Distributors (NAFED), and the Association of the Wall and Ceiling Industries (AWCI), enables us to remain at the forefront of industry requirements and innovations.

Take Advantage of Our Abilities to Manufacture Your Special Request for:

- Special Sizes
- Special Designs
- Custom Colors
- Special Metal Finishes

WARRANTY

JL Industries and Samson Products warrants its purchasers that JL Industries and Samson Fire Protection equipment sold will be free of any defects in materials or workmanship for a period of one year from the date of purchase. The liability of JL and Samson Products is strictly limited to the repair or

replacement of units that in our opinion are found to be defective, and no claims for consequential damages of any nature will be allowed. This warranty is in lieu of all warranties, expressed or implied.

TABLE OF CONTENTS

CABINET FEATURE OPTIONS

SAF-T-LOK OPTION page 3

FIRE-FX™ OPTION page 3

ADAC OPTION page 3

FIRE EXTINGUISHER CABINETS

Ambassador Academy Cosmopolitan

Recessed, semi-recessed and surface mounted cabinets with steel, aluminum, and stainless steel trim and doors. page 4-5

Embassy

Concealed hinge cabinets. page 6

Cavalier

Brass and bronze finishes. page 7

Clear Vu

Acrylic bubble door. page 8

SMB Bubble Cabinets page 9

Panorama

Frameless acrylic doors. page 10

Security Cabinets page 11

Classic

Steel surface mounted and semi-recessed extinguisher cabinets. Galvanized steel for corrosion resistance, cylinder lock, breaker bar & chain with acrylic or glass fascia. page 12

Corner Vu

Triangular surface mount cabinets for inside corner installation. page 12

Economyline

Steel surface mounted break glass cabinet with breaker bar & chain for economical extinguisher protection. page 13

Decorline

Steel and aluminum surface mount or semi-recessed, featuring cylinder lock, and break glass or pull handle. page 13

Hose and Valve Cabinets

Crownline page 14-15

FIRE EXTINGUISHERS

Multi-Purpose Dry Chemical
 Regular Dry Chemical
 Carbon Dioxide
 Halotron 1
 Wet Chemical page 16

PARTS & ACCESSORIES

Cabinet Accessories page 17-19

SPECIFICATIONS page 20



SAF-T-LOK™ OPTION

Unique new design for cabinets with cylinder locks

In the panic of a fire emergency, the breaking of the glass in a fire extinguisher cabinet door can be dangerous. It creates the possibility of injury to people and serious liability to the building owner.

We've recently modified our existing cabinet cylinder lock design to eliminate the need to break glass to access the extinguisher.

Our **SAF-T-LOK™** cam lock design allows you to open the cabinet door by pulling sharply on the handle, yet secure enough to prevent vandalism typically associated with the standard pull handles.

The **SAF-T-LOK™** gives you the flexibility to choose any door style and glazing option you require.

The **SAF-T-LOK™** provides a safe and fast way to access extinguishers.



COSMOPOLITAN 1035G13
WITH **SAF-T-LOK™**



FIRE-FX™ OPTION

Fire Rated Extinguisher Cabinets

An Industry First!

U.S. Patent No. 5,171,079

In 1991, J.L. Industries introduced the first Fire-Rated Extinguisher Cabinets and Valve Cabinets for use in fire-rated walls. J.L.'s specially designed and patented **FIRE-FX™** Option for cabinets are built to meet building code specifications for fire-rated wall situations. Warnock Hersey has certified and listed J.L.'s **FIRE-FX™** Option for 1-hour and 2-hour combustible and non-combustible wall systems*. The **FIRE-FX™** Option is available on our Cavalier, Ambassador, Cosmopolitan, Panorama, Clear Vu, Continental, Embassy and Academy Series cabinets. All J.L. Industries fire equipment cabinets with **FIRE-FX™** Option are shown in red throughout our catalog.

Fire-FX™ Option eliminates:

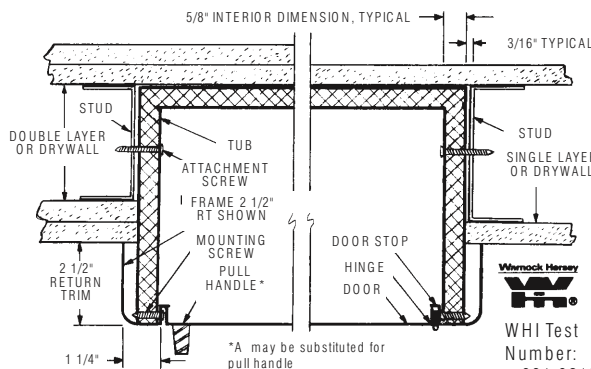
- The costly need to line the wall opening cavity with fire rated material.
- Guesswork as to whether the fire barrier has been compromised by the above procedure.

To order or specify, add **FIRE-FX™** Option suffix to the seven digit J.L. model number. For example, if you want an Ambassador 1017F10 with the **FIRE-FX™** Option, ask for the 1017F10 FX.

Specifications

Furnish fire-rated cabinet with **FIRE-FX™** Option manufactured by J.L. Industries of Bloomington, MN. Cabinet to be fabricated in accordance with the design tested and approved Warnock Hersey to UBC 7-5 (ASTM E814) and UBC 7-1 (ASTM E119). Cabinets shall carry the Warnock Hersey label for 1 hour combustible and 2 hour non-combustible walls.

FIRE-FX™ TOP VIEW



* FOR APPLICABLE RESTRICTIONS, SEE THE **Fire-FX™** OPTION DETAIL AND SUBMITTAL SHEET AND THE INSTALLATION INSTRUCTIONS PROVIDED WITH THE PRODUCT.



ADAC OPTION

Unique 4" Projecting Extinguisher Cabinets. Trim complies with A.D.A. codes

An Industry First...

The Americans with Disabilities Act (A.D.A) of 1990 mandates that cabinets or other accessories not extend into corridor areas more than 4".

In 1993, J.L. Industries, Inc. introduced a unique cabinet design featuring a 4" projecting trim with a flush cup pull handle. This was created to allow for installation of our popular 1000 size cabinet into walls as thin as 2 1/8", and still meet the A.D.A. projection criteria.

All cabinets with the numbers "2" as the fourth character of the model number include this 4" projecting trim with the flush cup pull handle. (ex. Ambassador 1012F10) It is important to note, however, that most other J.L. cabinets also meet the projection requirement.

The ADAC cabinet with 4" return trim was designed to offer an additional choice, allowing for semi-recessing into relatively thin walls, and yet still comply with the new projection requirements.

All J.L. Industries fire equipment cabinets which meet A.D.A. criteria are shown with this symbol and highlighted in blue throughout our catalog.



PANARAMA 1012P48
WITH ADAC OPTION



WHI Test Number:
• 631-021201
• 631-021202

AMBASSADOR (STEEL), ACADEMY (ALUMINUM) AND COSMOPOLITAN (STAINLESS STEEL) SERIES

The Ambassador, Academy and Cosmopolitan Series provide the least expensive of the recessed, semi-recessed and surface mounted cabinets in three trim and door materials: steel, aluminum and stainless steel respectively. Ideal for schools, hospitals, hotels, motels, apartments, supermarkets, etc. These cabinets come with a great variety of combination metal-glass door styles and sizes to suit most all portable fire extinguishers.

All Ambassador, Academy and Cosmopolitan cabinets come standard with a continuous hinge. These flush cabinet doors consist of a formed design with 5/8" nominal thickness. The doorstop therefore extends 5/8" into the tub. The standard door hardware for non-break glass doors consists of zinc plated pull handles and roller catch. A handle and cylinder lock with flexible cam is standard for **SAF-T-LOK™** mechanisms. All steel cabinets are finished with a white powder coat. Square edge trim is standard on all surface mount stainless steel cabinets. See below for door and glazing styles and other optional metals and cabinet features available. For those special job requirements, our Versatile Manufacturing Capabilities can handle most any request. Just ask us!

ORDERING PROCEDURE

1. Is the wall fire-rated? If so, select **Fire-FX™** option, unless the cabinet is trimless or surface mounted. (Note: aluminum cabinets with 2 1/2", 3", 4", and 4 1/2" trim styles may have frame modifications in order to maintain the fire rating of the wall.)
2. Does the A.D.A. code apply in the areas the cabinets is stationed? If so, select a cabinet with one of the following trim styles: trimless, flat trim, 1 1/4", 1 1/2", 2 1/2", 3", or 4" return trim.
3. Select tub I.D. according to size most suited for fire extinguisher and wall opening. (first two digits of part #)
4. Select trim material: steel, aluminum, stainless steel, bronze or brass. (third digit of part #)
5. Select trim style: trimless, flat trim, 1 1/4", 1 1/2", 2 1/2", 3", 4", 4 1/2", surface mount. (fourth digit of part #)
6. Select door style: (fifth digit of part #)
7. Select door glazing: (last two digits of part #)

SPECIFY

1. **Fire-FX™** Option for fire-rated walls
2. **ADAC Option:** Maximum projection for thin walls within A.D.A. guidelines
3. **Door/frame finish (select one)**
 - a. Ambassador (steel): electrostatic white powder coat finish
 - b. Academy (aluminum): #180 clear anodized aluminum finish
 - c. Cosmopolitan (stainless steel): #4 stainless steel finish
4. 1 3/4" face trim on frame and door
5. Rolled edge construction on 2 1/2" RT, 3" RT, 4" RT and 4 1/2" RT frames

1. AVAILABLE DOOR STYLES (select one)

- F Full glass
 G Full glass with **SAF-T-LOK™**
 D Duo panel
 E Duo panel with **SAF-T-LOK™**
 S21 Solid with handle
 L22 Solid with lock
 B Solid with glass insert and **SAF-T-LOK™**
 V Contemporary V
 W Contemporary V with **SAF-T-LOK™**

2. AVAILABLE DOOR GLAZING (select one)

- 10 Clear acrylic
 13 Clear wire glass
 15 Bronze acrylic
 16 Gray acrylic
 17 Clear tempered glass
 18 Laminated safety glass

3. OPTIONS (select any)

- Custom stainless steel finishes; Cosmopolitan: #6 satin stainless #7 polished stainless #8 polished stainless
- **Fire-FX™** fire rated tub option
- Aluminum tub, mill finish
- Stainless tub, #4 satin finish
- Rolled edge surface mounted stainless steel frame
- Color anodized door and trim; Academy
- Color powder coated tub (red or black)
- Color powder coated door and trim (red or black); Ambassador
- Futura "FIRE" handle
- Lettering: die cut or decal, vertical, horizontal red, black, white



AMBASSADOR 
 1015w10
 OPTIONAL RED FINISH
 W/**SAF-T-LOK™**



AMBASSADOR
 C1013F10



AMBASSADOR 
 C1017F10



COSMOPOLITAN 
 C1037V10



COSMOPOLITAN 
 C1035B20
 W/**SAF-T-LOK™**



ACADEMY 
 C1027V10



ACADEMY 
 1027V10
 OPTIONAL
 BRONZE ANODIZED



COSMOPOLITAN 
 1036F16 W.U.S. #32
 POLISHED DOOR & TRIM



COSMOPOLITAN 
 C1035D10



COSMOPOLITAN 
 C1035S21




ACADEMY 
 1025E10

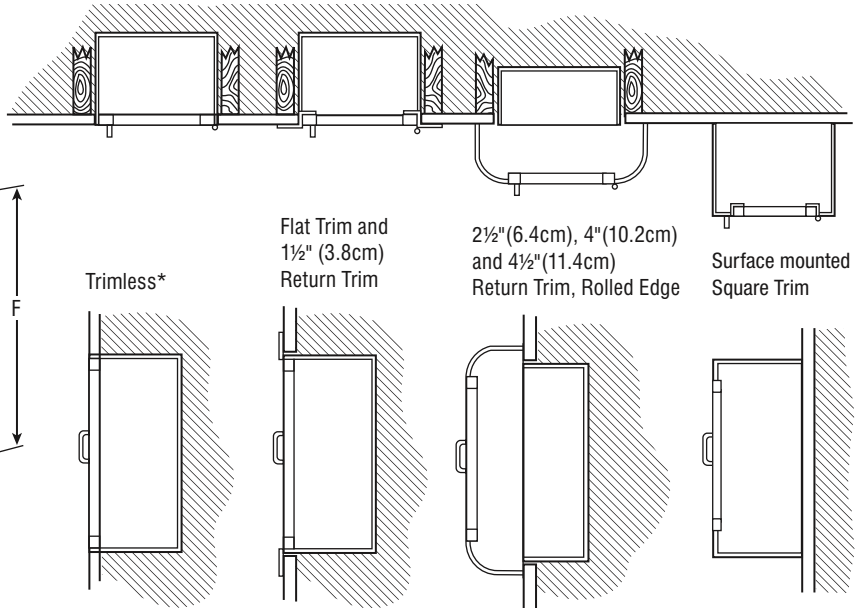
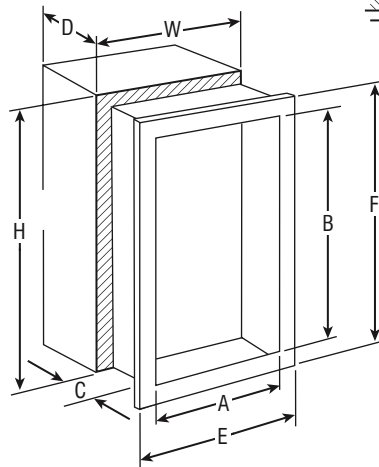


COSMOPOLITAN 
 CADA1032V10



AMBASSADOR 
 1017F10
 W/OPTIONAL BLK FINISH
 W/FE LETTERS

EXPLODED TOP & SIDE VIEWS
Refer to dimensions table



*Recommended for plaster walls only, where the wall can be finished flush with the cabinet after its installation

DIMENSIONS IN INCHES

TRIM & DOOR MATERIAL & SERIES #				TUB I.D.			FRAME O.D.		WALL OPENING: NON-RATED			WALL OPENING: FX OPTION			ACCOMMODATES FOLLOWING EXTINGUISHERS
Steel	Aluminum	Stainless Steel	Trim Style	A	B	C	E	F	W	H	D	W	H	D	
8114	—	—	Trimless	9"	18"	5 1/2"	9 1/4"	18 1/4"	9 1/2"	18 1/2"	5 3/4"	—	—	—	Cosmic 2 1/2E, 5E, 5X
8115	8125	8135	Flat Trim	9"	18"	5 1/2"	12 3/8"	21 3/8"	10"	19"	5 1/2"	11"	20 1/8"	6 3/8"	Galaxy 2 1/2, 5, 5 1/2
8116	8126	8136	1 1/2"	9"	18"	5 1/2"	12 3/8"	21 3/8"	10"	19"	4"	11"	20 1/8"	4 7/8"	Mercury 2 1/2, 5
8117	8127	8137	2 1/2"	9"	18"	5 1/2"	12 3/8"	21 3/8"	10"	19"	*3 1/8"	11"	20 1/8"	*4"	
8113	8123	8133	Surf. Mtd.	12 3/16"	21 3/16"	6"	12 3/8"	21 3/8"	—	—	—	—	—	—	
1815	1825	1835	Flat Trim	10 1/2"	24"	5 1/2"	13 7/8"	27 3/8"	11 1/2"	25"	5 1/2"	12 1/2"	26 1/8"	6 3/8"	Cosmic 2 1/2E, 5E, 5X
1816	1826	1836	1 1/2"	10 1/2"	24"	5 1/2"	13 7/8"	27 3/8"	11 1/2"	25"	4"	12 1/2"	26 1/8"	4 7/8"	Galaxy 2 1/2, 5, 5 1/2
1817	1827	1837	3"	10 1/2"	24"	5 1/2"	13 7/8"	27 3/8"	11 1/2"	25"	2 5/8"	12 1/2"	26 1/8"	3 1/2"	Mercury 2 1/2, 5
1812	1822	1832	4"	10 1/2"	24"	5 1/2"	13 7/8"	27 3/8"	11 1/2"	25"	*1 5/8"	12 1/2"	26 1/8"	*2 1/2"	
1818	1828	1838	4 1/2"	10 1/2"	24"	5 1/2"	13 7/8"	27 3/8"	11 1/2"	25"	*1 1/8"	12 1/2"	26 1/8"	*2"	
1014	—	—	Trimless	10 1/2"	24"	6"	10 3/4"	24 1/4"	11"	24 1/2"	6 1/4"	—	—	—	Cosmic 2 1/2E, 5E, 5X, 6E, 10E
1015	1025	1035	Flat Trim	10 1/2"	24"	6"	13 7/8"	27 3/8"	11 1/2"	25"	6"	12 1/2"	26 1/8"	6 7/8"	Galaxy 2 1/2, 5, 5 1/2, 6, 10
1016	1026	1036	1 1/2"	10 1/2"	24"	6"	13 7/8"	27 3/8"	11 1/2"	25"	4 1/2"	12 1/2"	26 1/8"	5 3/8"	Sentinel 5
1017	1027	1037	3"	10 1/2"	24"	6"	13 7/8"	27 3/8"	11 1/2"	25"	3 1/8"	12 1/2"	26 1/8"	4"	Mercury 2 1/2, 5
1012	1022	1032	4"	10 1/2"	24"	6"	13 7/8"	27 3/8"	11 1/2"	25"	*2 1/8"	12 1/2"	26 1/8"	*3"	
1018	1028	1038	4 1/2"	10 1/2"	24"	6"	13 7/8"	27 3/8"	11 1/2"	25"	*1 5/8"	12 1/2"	26 1/8"	*2 1/2"	
1013	1023	1033	Surf. Mtd.	13 11/16"	27 3/16"	6 1/2"	13 7/8"	27 3/8"	—	—	—	—	—	—	
2014	—	—	Trimless	12"	27"	7 3/4"	12 1/4"	27 1/4"	12 1/2"	27 1/2"	8"	—	—	—	Any Cosmic, Any Galaxy
2015	2025	2035	Flat Trim	12"	27"	7 3/4"	15 3/8"	30 3/8"	13"	28"	7 7/8"	14"	29 1/8"	8 1/2"	Grenadier P,
2016	2026	2036	1 1/4"	12"	27"	7 3/4"	15 3/8"	30 3/8"	13"	28"	6 3/4"	14"	29 1/8"	7 3/8"	Sentinel 5, 10
2017	2027	2037	2 1/2"	12"	27"	7 3/4"	15 3/8"	30 3/8"	13"	28"	*5 1/2"	14"	29 1/8"	*6 3/8"	Any Mercury
2012	2022	2032	4"	12"	27"	7 3/4"	15 3/8"	30 3/8"	13"	28"	*4"	14"	29 1/8"	*4 5/8"	Any Saturn
2018	2028	2038	4 1/2"	12"	27"	7 3/4"	15 3/8"	30 3/8"	13"	28"	*3 1/2"	14"	29 1/8"	*4 1/8"	
2013	2023	2033	Surf. Mtd.	15 3/16"	30 3/16"	8 1/4"	15 3/8"	30 3/8"	—	—	—	—	—	—	
3015	3025	3035	Flat Trim	16"	32"	7 3/4"	19 3/8"	35 3/8"	17"	33"	7 7/8"	18"	34 1/8"	8 1/2"	Any Cosmic, Any Galaxy
3016	3026	3036	1 1/4"	16"	32"	7 3/4"	19 3/8"	35 3/8"	17"	33"	6 3/4"	18"	34 1/8"	7 3/8"	Grenadier P,
3017	3027	3037	2 1/2"	16"	32"	7 3/4"	19 3/8"	35 3/8"	17"	33"	*5 1/2"	18"	34 1/8"	*6 3/8"	Sentinel 5, 10, 15
3012	3022	3032	4"	16"	32"	7 3/4"	19 3/8"	35 3/8"	17"	33"	*4"	18"	34 1/8"	*4 5/8"	Any Mercury
3018	3028	3038	4 1/2"	16"	32"	7 3/4"	19 3/8"	35 3/8"	17"	33"	*3 1/2"	18"	34 1/8"	*4 1/8"	Any Saturn
3013	3023	3033	Surf. Mtd.	19 3/16"	35 3/16"	8 1/4"	19 3/8"	35 3/8"	—	—	—	—	—	—	
4015	4025	4035	Flat Trim	20"	27"	7 3/4"	23 3/8"	30 3/8"	21"	28"	7 7/8"	22"	29 1/8"	8 1/2"	Two each of: Any Cosmic
4016	4026	4036	1 1/4"	20"	27"	7 3/4"	23 3/8"	30 3/8"	21"	28"	6 3/4"	22"	29 1/8"	7 3/8"	Any Galaxy
4017	4027	4037	2 1/2"	20"	27"	7 3/4"	23 3/8"	30 3/8"	21"	28"	*5 1/2"	22"	29 1/8"	*6 3/8"	Grenadier P, Sentinel 5, 10
4012	4022	4032	4"	20"	27"	7 3/4"	23 3/8"	30 3/8"	21"	28"	*4"	22"	29 1/8"	*4 5/8"	Any Mercury
4018	4028	4038	4 1/2"	20"	27"	7 3/4"	23 3/8"	30 3/8"	21"	28"	*3 1/2"	22"	29 1/8"	*4 1/8"	Any Saturn
4013	4023	4033	Surf. Mtd.	23 3/16"	30 3/16"	8 1/4"	23 3/8"	30 3/8"	—	—	—	—	—	—	

* ADD 5/8" FOR CABINETS WITH ALUMINUM FRAMES. NOTE: WHEN USING GRENADIER P WITH Fire-FX™ OPTION CABINET, THE EXTINGUISHER MUST BE MOUNTED ON THE BACK OF THE CABINET TUB.



ALL AMBASSADOR, ACADEMY, COSMOPOLITAN & PANORAMA SERIES MEETS A.D.A. PROJECTION CRITERIA WITH EXCEPTION TO: 1818, 1828, 1838, 1018, 1028, 1038, 1013, 1023, 1033, 2018, 2028, 2038, 2038, 2013, 2023, 2033, 3018, 3028, 3038, 3013, 3123, 3033, 4018, 4028, 4038, 4013, 4023 AND 4033

THE EMBASSY SERIES

A concealed hinge and handle gives our Embassy Series a streamlined modern appearance. Only the door extends from the surface of the wall, hanging from the wall in a distinguished, unadorned fashion.

SPECIFICATIONS:

The Embassy Series is constructed quite differently from all of our other cabinet series. A flanged tub, an oversized door that completely covers this flange, a concealed hinge and a concealed handle are among its unique features. The tub of the Embassy is white powder coated cold rolled steel unless otherwise specified in options. Cabinet doors consist of a formed design with 7/8" nominal thickness. The Embassy is available with steel, aluminum, stainless steel, bronze or brass doors. A roller catch comes standard with all Embassy doors, except the W door style, which includes the **SAF-T-LOK™**. All J.L. Embassy cabinets shown below meet the A.D.A. projection criteria.

- Steel: White powder coated cold rolled steel door
- Aluminum: #180 clear anodized aluminum door
- Stainless Steel: #4 satin stainless steel door
- Bronze: U.S.10 satin bronze door
- Brass: U.S.3 polished brass door



**ALL EMBASSY SERIES
MEETS A.D.A. PROJECTION CRITERIA.**

ORDERING PROCEDURE

1. Is the wall fire-rated? If so, select **FIRE-FX™** option, unless the cabinet is trimless or surface mounted.
2. Does the A.D.A. code apply in the areas the cabinets is stationed? If so, select a cabinet with one of the following trim styles: trimless, flat trim, 1 1/2", 2 1/2", or 3" return trim.
3. Select tub I.D. according to size most suited for fire extinguisher and wall opening. (first two digits of part #)
4. Select trim material: steel, aluminum, stainless steel, bronze or brass. (third digit of part #)
5. Select trim style: trimless, flat trim, 1 1/2", 2 1/2", or 3" surface mount. (fourth digit of part #)
6. Select door style: (fifth digit of part #)
7. Select door glazing: (last two digits of part #)

SPECIFY:

1. Available Door Styles (Select One)

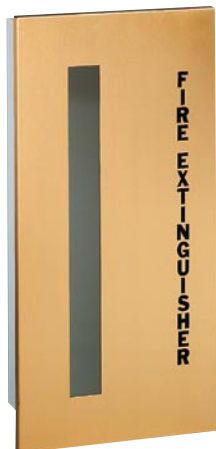
- S21 Solid
- V Contemporary V
- W Contemporary V with **SAF-T-LOK™**

2. Available Door Glazing (Select One)

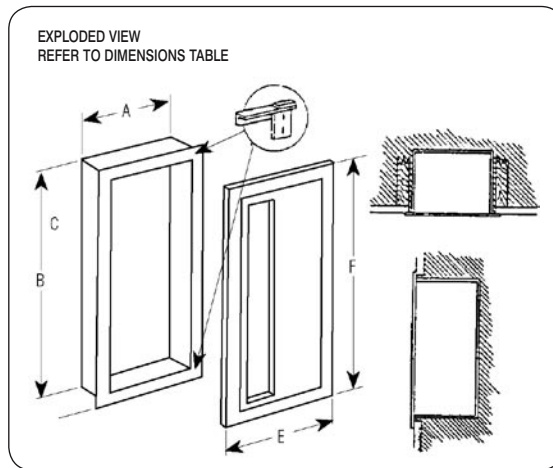
- 10 Clear acrylic
- 13 Clear wire glass
- 15 Bronze acrylic
- 16 Gray acrylic
- 17 Clear tempered glass
- 18 Laminated safety glass

3. Options (Select One)

- Color powder coated tub
- Color powder coated door: for steel only
- Color anodized door: for aluminum only
- FE letters in black, red or white
- **FIRE-FX™**: fire rated tub option
- Futura "fire" handle
- #4 stainless steel tub: for stainless steel only
- #6 satin stainless door
- #7 polished stainless door
- #8 polished stainless door
- U.S. 9 polished bronze door clear coated
- U.S.10B oil rubbed bronze door
- U.S. 4 satin brass door clear coated



EMBASSY
5654V15



EMBASSY
5634S21FX

DIMENSIONS IN INCHES

DOOR MATERIAL & SERIES #						TUB I.D.			*DOOR O.D.		WALL OPENING: NON-RATED			WALL OPENING: FX OPTION			** ACCOMMODATES FOLLOWING JL EXTINGUISHERS
Steel	Aluminum	Stainless Steel	Bronze	Brass	Trim Style	A	B	C	E	F	W	AH	D	W	H	D	
5614	5624	5634	5644	5654	Trimless	10 1/2"	24"	5 3/4"	12 3/4"	26 1/4"	11 1/2"	25"	6"	12 1/2"	26 1/8"	6 7/8"	Cosmic 2 1/2", SE, 5X, 6E, 10E, Galaxy 2 1/2", S, S 1/2", 6, 10, Sentinel 5, Mercury 2 1/2", 5
5714	5724	5734	5744	5754	Trimless	16"	32"	7 3/4"	18 1/4"	34 1/4"	17"	33"	8"	18"	34 1/8"	8 7/8"	Any Cosmic, Any Galaxy, Grenadier P, Sentinel 5, 10, 15, Mercury 2 1/2", 5, Any Saturn
5514	5524	5534	5544	5554	Trimless	18"	18"	7 3/4"	20 1/4"	20 1/4"	19"	19"	8"	20"	20 1/8"	8 7/8"	2 1/2" fire department valve
5814	5824	5834	—	—	Trimless	32"	32"	7 3/4"	34 1/4"	34 1/4"	33"	33"	8"	—	—	—	1 1/2" or 2 1/2" x 1 1/2" rack unit and a 2 1/2" fire department valve and a fire extinguisher
—	—	—	5844	5854	Trimless	30"	30"	7 3/4"	32 1/4"	32 1/4"	31"	31"	8"	—	—	—	1 1/2" rack unit and a fire extinguisher
5914	5924	5934	5944	5954	Trimless	16"	40"	8 3/4"	18 1/4"	42 1/4"	17"	41"	9"	18"	42 1/8"	9 7/8"	2 1/2" fire department valve and a fire extinguisher

CAVALIER SERIES

The Cavalier Series is characterized by its bronze or brass finishes. These cabinets are ideal for banks, government buildings and other high profile areas where you are coordinating with hardware finishes.

SPECIFICATIONS:

The Cavalier Series features either a brass or bronze door and frame. The tub is white powder coated cold rolled steel. The Cavalier's standard bronze finish is a U.S.10 satin clear coated finish, standard brass finish is a U.S. 3 polished coated finish. U.S. 9 bright bronze clear coated or U.S. 10B dark oxidized bronze oil rubbed finish are among the options (see options below.)

All J.L. Cavalier cabinets shown here meet the A.D.A. projection criteria with either the standard pull or the flush pull. The Cavalier Series is also available with any Panorama Series door shown on page 6. For example, to specify, simply call for a "Cavalier 1046P40".

SPECIFY

1. Available Door Styles (Select One)

- F Full glass
- G Full glass with **SAF-T-LOK™**
- D Duo panel
- E Duo panel with **SAF-T-LOK™**
- S21 Solid with handle
- L22 Solid with lock
- B Solid with glass insert and **SAF-T-LOK™**
- V Contemporary V
- W Contemporary V with **SAF-T-LOK™**

2. Available Door Glazing (Select One)

- 10 Clear acrylic
- 13 Clear wire glass
- 15 Bronze acrylic
- 16 Gray acrylic
- 17 Clear tempered glass
- 18 Laminated safety glass



ALL CAVALIER SERIES MEETS A.D.A. PROJECTION CRITERIA. EXCEPT: 1043, 1053, 2043, 2053

ORDERING PROCEDURE

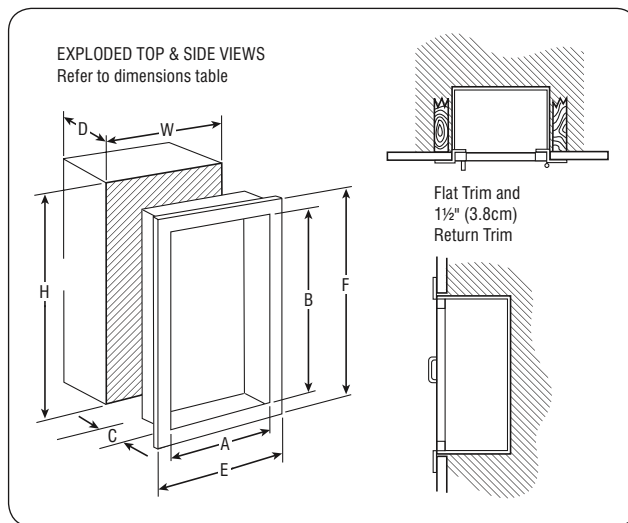
1. Is the wall fire-rated? If so, select **FIRE-FX™** option, unless the cabinet is trimless or surface mounted.
2. Does the A.D.A. code apply in the areas the cabinets is stationed? If so, select a cabinet with one of the following trim styles: trimless, flat trim, 1 1/2", 2 1/2", or 3" return trim.
3. Select tub I.D.: according to size most suited for fire extinguisher and wall opening. (first two digits of part #)
4. Select trim material: bronze or brass. (third digit of part #)
5. Select trim style: trimless, flat trim, 1 1/2", 2 1/2", or 3" surface mount. (fourth digit of part #)
6. Select door style: (fifth digit of part #)
7. Select door glazing: (last two digits of part #)

3. Options (Select Any)

- Brass door and trim, U.S. #4 satin finish
- Bronze door and trim, U.S. #9 bright polished finish
- Bronze door and trim, U.S. #10b dark oxidized oil rubbed finish
- Color powder coated tub (red or black)
- FE letters in black, red or white
- **FIRE-FX™** fire rated tub option
- Futura "fire" handle
- Flush pull handle



CAVALIER BRASS
FX1056V10



CAVALIER BRONZE
1043V10

DIMENSIONS IN INCHES

TRIM & DOOR MATERIAL & SERIES #			TUB I.D.			*DOOR O.D.		WALL OPENING: NON-RATED			WALL OPENING: FX OPTION			ACCOMMODATES FOLLOWING J.L. EXTINGUISHERS
Bronze	Brass	Trim Style	A	B	C	E	F	W	AH	D	W	H	D	
1845	1855	Flat Trim	10 1/2"	24"	5 1/2"	13 7/8"	27 3/8"	11 1/2"	25"	5 1/2"	12 1/2"	26 1/8"	6 3/8"	Cosmic 2 1/2E, 5E, 5X Galaxy 2 1/2, 5, 5 1/2 Mercury 2 1/2, 5
1846	1856	1 1/2"	10 1/2"	24"	5 1/2"	13 7/8"	27 3/8"	11 1/2"	25"	4"	12 1/2"	26 1/8"	4 7/8"	
1847	1857	3"	10 1/2"	24"	5 1/2"	13 7/8"	27 3/8"	11 1/2"	25"	2 5/8"	12 1/2"	26 1/8"	3 1/2"	
1045	1055	Flat Trim	10 1/2"	24"	6"	13 7/8"	27 3/8"	11 1/2"	25"	6"	12 1/2"	26 1/8"	6 7/8"	Cosmic 2 1/2E, 5E, 5X, 6E, 10E Galaxy 2 1/2, 5, 5 1/2, 6, 10 Sentinel 5, Mercury 2 1/2, 5
1046	1056	1 1/2"	10 1/2"	24"	6"	13 7/8"	27 3/8"	11 1/2"	25"	4 1/2"	12 1/2"	26 1/8"	5 3/8"	
1047	1057	3"	10 1/2"	24"	6"	13 7/8"	27 3/8"	11 1/2"	25"	3 1/8"	12 1/2"	26 1/8"	4"	
1043	1053	Surf. Mt	13 11/16"	27 3/16"	6 1/2"	13 7/8"	27 3/8"	-	-	-	-	-	-	
2045	2055	Flat Trim	12"	27"	7 3/4"	15 3/8"	30 3/8"	13"	28"	7 3/4"	14"	29 1/8"	8 1/2"	Any Cosmic, Any Galaxy, **Grenadier P, Sentinel 5, 10 Any Mercury, Any Saturn
2046	2056	1 1/4"	12"	27"	7 3/4"	15 3/8"	30 3/8"	13"	28"	6 5/8"	14"	29 1/8"	7 3/8"	
2043	2053	Surf. Mt	15 3/16"	30 3/16"	8 1/4"	15 3/8"	30 3/8"	-	-	-	-	-	-	

*WHEN USING GRENADE P WITH FIRE-FX™ OPTION CABINET, THE EXTINGUISHER MUST BE MOUNTED ON THE BACK OF THE CABINET TUB.

THE CLEAR VU SERIES

A convex acrylic bubble door and 4" tub depth are the primary features of our Clear Vu Series cabinets. The transparent bubble (available in clear, red or bronze acrylic) projects a nominal 2 1/2" past the cabinet trim, enabling 180° vision of the extinguisher for quick identification in an emergency. The resilience of the bubble makes it both safe and durable. The 4" tub depth, meanwhile, allows for full recessing into today's thinner walls, reducing the need for more costly semi-recessed units. Combined, these features make this cabinet ideal for long, narrow hallways or corridors, where the thin walls are common and ease of location is essential.

If Clear Vu cabinets are to be stationed in areas where the A.D.A. code applies, you must use flat trim cabinets only because of the projection of the bubble.

SPECIFICATIONS: The tub of the Clear Vu is white powder finished cold rolled steel, unless otherwise specified in options. The Clear Vu's door and trim are available in steel, aluminum, stainless steel, bronze or brass.

All cabinets feature a 1 3/4" face width on the trim and the door. All semi-recessed cabinets with a 2 1/2" RT and 3" RT have trims with a rolled edge construction. All other trim configurations are square edged.

All cabinets come standard with a continuous hinge. The flush cabinet door consists of a formed design with 5/8" nominal thickness. The doorstop therefore extends 5/8" into the tub. The standard door hardware consists of a zinc plated pull handle and roller catch. A cylinder lock with flexible cam is standard for **SAF-T-LOK™** doors.

SPECIFY

1. Available Door Styles (Select One)

- F Full acrylic
- G Full acrylic with **SAF-T-LOK™**

2. Available Door Glazing (Select One)

- 25 Clear bubble
- 26 Red bubble
- 27 Bronze bubble

3. Options (Select One)

- Color powder coated tub
- Color powder coated door and trim: for steel only
- Color anodized door and trim: for aluminum only
- Futura "fire" handle
- Fire-FX™ fire rated tub option
- FE letters in black, red, or white
- U.S. 4 satin brass clear coated
- U.S. 9 polished bright bronze clear coated
- U.S. 10B finish dark oxidized bronze oil rubbed
- Aluminum tub: for aluminum cabinets only
- #4 stainless steel tub: for stainless steel only
- #6 satin stainless
- #7 polished stainless
- #8 polished stainless



SERIES # 1515, 1525, 1545, 1555, 2515, 2525, 2535, 2545, 2555, 4515, 4525 & 4535 MEETS A.D.A. PROJECTION CRITERIA.

ORDERING PROCEDURE

1. Is the wall fire-rated? If so, select **FIRE-FX™** option, unless the cabinet is trimless or surface mounted.
2. Does the A.D.A. code apply in the areas the cabinets is stationed? If so, select a cabinet with one of the following trim styles: trimless, flat trim, 1 1/2", 2 1/2", or 3" return trim.
3. Select tub I.D.: according to size most suited for fire extinguisher and wall opening. (first two digits of part #)
4. Select trim material: steel, aluminum, stainless steel, bronze or brass. (third digit of part #)
5. Select trim style: trimless, flat trim, 1 1/2", 2 1/2", or 3" surface mount. (fourth digit of part #)
6. Select door style: (fifth digit of part #)
7. Select door glazing: (last two digits of part #)



CLEAR VU
1537G25
W/SAF-T-LOK™



CLEAR VU
1545F27
U.S. 9 FINISH



CLEAR VU
1525F26

DIMENSIONS IN INCHES

DOOR MATERIAL & SERIES #						TUB I.D.			FRAME O.D.		WALL OPENING: NON-RATED			WALL OPENING: FX OPTION			ACCOMMODATES FOLLOWING JL EXTINGUISHERS
Steel	Aluminum	Stainless Steel	Bronze	Brass	Trim Style	A	B	C	E	F	W	AH	D	W	H	D	
1515	1525	1535	1545	1555	Flat Trim	10 1/2"	24"	4"	13 7/8"	27 3/8"	11 1/2"	25"	4"	12 1/2"	26 1/8"	4 7/8"	Cosmic 2 1/2E, 5E, 5X, 6E, 10E Galaxy 2 1/2, 5, 5 1/2, 6, 10 Sentinel 5 Mercury 2 1/2, 5
1516	1526	1536	1546	1556	1 1/2"	10 1/2"	24"	4"	13 7/8"	27 3/8"	11 1/2"	25"	2 5/8"	12 1/2"	26 1/8"	3 1/2"	
1517	1527	1537	1547	1557	3"	10 1/2"	24"	4"	13 7/8"	27 3/8"	11 1/2"	25"	1 1/8"	12 1/2"	26 1/8"	2"	
1513	1523	1533	1543	1553	Surf. Mtd.	13 11/16"	27 3/16"	4 5/8"	13 7/8"	27 3/8"	—	—	—	—	—	—	
2515	2525	2535	2545	2555	Flat Trim	14"	30"	4"	17 3/8"	33 3/8"	15"	31"	4"	16"	32 1/8"	4 7/8"	Any Cosmic, Any Galaxy Sentinel 5, 10 Grenadier P Mercury 2 1/2, 5 Any Saturn
2516	2526	2536	2546	2556	1 1/4"	14"	30"	4"	17 3/8"	33 3/8"	15"	31"	2 7/8"	16"	32 1/8"	3 3/4"	
2517	2527	2537	—	—	2 1/2"	14"	30"	4"	17 3/8"	33 3/8"	15"	31"	*15/8"	16"	32 1/8"	*2 1/2"	
2513	2523	2533	2543	2553	Surf. Mtd.	17 3/16"	33 3/16"	4 5/8"	17 3/8"	33 3/8"	—	—	—	—	—	—	
4515	4525	4535	—	—	Flat Trim	28"	30"	4"	31 3/8"	33 3/8"	29"	31"	4"	30"	32 1/8"	4 7/8"	Two each of: Any Cosmic Any Galaxy, Sentinel 5, 10 Mercury 2 1/2, 5, Any Saturn
4513	4523	4533	—	—	Surf. Mtd.	31 3/16"	33 3/16"	4 5/8"	31 3/8"	33 3/8"	—	—	—	—	—	—	

*ADD 5/8" TO WALL DEPTH FOR A CABINET WITH AN ALUMINUM FRAME
4500 SERIES CONSIST OF A DOUBLE DOOR DESIGN

NEW SMB SERIES SURFACE MOUNT BUBBLE CABINETS - A JL INDUSTRIES EXCLUSIVE

This revolutionary cabinet is the first in the industry to combine the convenience of surface-mounted installation with full 180 degree visibility of the extinguisher through the bubble. This cabinet features a 3" rolled edge frame/tub combination with bubble to house the extinguisher, eliminating the "box look" of common surface mount cabinets. The SMB Series is available in 6 standard powder coat colors; white, gray hammertone, red, brass, bronze and silver.

Just ask us! A red or bronze translucent bubble can be provided in place of the standard clear bubble.

STANDARD FEATURES

- 6 standard powder coat colors – custom colors available, 3 bubble colors
- Rolled trim edge eliminates sharp corners and edges
- Trim, door, and hinge constructed of cold rolled steel
- Complete surface mounted design eliminates cutting into existing walls
- 180 degree visibility of extinguisher through clear acrylic bubble allows view of contents
- Accommodates JL Cosmic 5E and Cosmic 10E fire extinguishers (fire extinguisher mounting hardware is not included with cabinet)



SMB-W25
WHITE



SMB-BRO27
BRONZE



SMB-BRA27
BRASS



SMB-H25
GRAY HAMMERTONE

SPECIFY

1. Available Door Styles (Select One)

F Full acrylic bubble with pull handle

2. Standard Colors

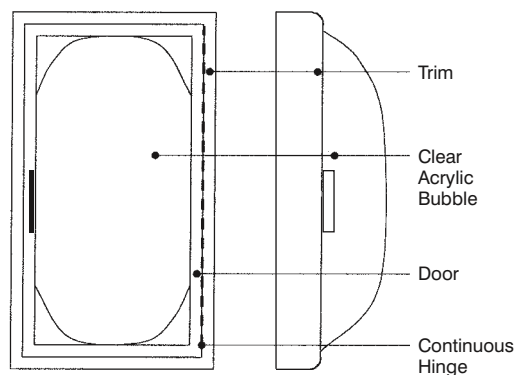
White	W
Red	R
Gray Hammertone	H
Bronze	BRO
Brass	BRA
Silver	S

3. Available Door Glazing (select one)

- 25 Clear acrylic bubble
- 26 Red acrylic bubble
- 27 Bronze acrylic bubble

4. Options

Custom powder coat finishes - consult factory



DIMENSIONS IN INCHES

MODEL						TRIM PROJECTION	FRAME INSIDE DIMENSIONS	FRAME OUTSIDE DIMENSIONS
White	Hammertone	Brass	Bronze	Silver	Red			
SMB-W	SMB-H	SMB-BRA	SMB-BRO	SMB-S	SMB-R	3"	13 13/16" x 27 5/16"	13 15/16" x 27 7/16"

PANORAMA SERIES

The Panorama Series is distinguished by its great variety of frameless acrylic doors. The Panorama is available with steel, aluminum, or stainless steel trim. The tub of the Panorama is white powder coated cold rolled steel unless otherwise specified in options. The Panorama features a frameless acrylic door and obtains its identity style from the FE lettering in three colors (white, black, red) and three configurations (V-Vertical, H-Horizontal, A-Identity). The "stippled" texture of the exterior and exclusive aluminum backing of this "identity" door makes it impossible to remove or even scratch the lettering. This makes it extremely practical for such places as restaurants, shopping malls, banks, office buildings, government centers and other buildings open to the public, where both beauty and durability are desirable. In addition, the Panorama offers a clear untextured acrylic door for a clean, unobtrusive look that will not clash with the design, style or architecture of a room or building.

All Panorama cabinets come standard with a continuous hinge. The standard door hardware for non-locking doors consists of a zinc plated pull handle and roller catch. A cylinder lock with flexible cam is standard for **SAF-T-LOK™** doors. The cabinet door sits flush in a 5/8" door stop, which extends back into the tub.



PANORAMA
1036C70
W/COSMIC 10E



PANORAMA
1012P48
ADAC OPTION



PANORAMA
1037P42



PANORAMA
1035P50



PANORAMA
FX1038Q43
W/SAF-T-LOK™



MEETS A.D.A. PROJECTION
CRITERIA.

ORDERING PROCEDURE

1. Is the wall fire-rated? If so, select **FIRE-FX™** option, unless the cabinet is trimless or surface mounted.
2. Does the A.D.A. code apply in the areas the cabinets is stationed? If so, select a cabinet with one of the following trim styles: trimless, flat trim, 1 1/2", 2 1/2", or 3" return trim.
3. Select tub I.D.: according to size most suited for fire extinguisher and wall opening. (first two digits of part #)
4. Select trim material: steel, aluminum, stainless steel, bronze or brass. (third digit of part #)
5. Select trim style: trimless, flat trim, 1 1/2", 2 1/2", or 3" surface mount. (fourth digit of part #)
6. Select door style: (fifth digit of part #)
7. Select door glazing: (last two digits of part #)

SPECIFY

1. Available Door Styles (Select One)

- C70 Clear 3/16" frameless, backless, unlettered smooth acrylic only
- C71 Clear, 3/16" frameless, backless, unlettered smooth acrylic with **SAF-T-LOK™**
- P Identity: 3/16" frameless, aluminum backed textured obscure acrylic with FE lettering arranged vertically (V), horizontally (H) or along the hinge (A) on the back; color of lettering and background available in combinations of white, black or red
- Q Identity with **SAF-T-LOK™**

2. Available Door Glazing (Select One)

- 40 – V, Black background w/white letters
- 41 – V, Red background w/white letters
- 42 – V, White background w/black letters
- 43 – V, White background w/red letters
- 45 – H, Black background w/white letters

- 46 – H, Red background w/white letters
- 47 – H, White background w/black letters
- 48 – H, White background w/red letters
- 50 – A, Black background w/white letters
- 51 – A, Red background w/white letters
- 52 – A, White background w/black letters
- 53 – A, White background w/red letters

3. Options (Select Any)

- Aluminum tub, mill finish
- Color anodized trim; aluminum only
- Color powder coated tub (red or black)
- Color powder coated trim (red or black); steel only
- **FIRE-FX™** fire rated tub option
- Futura "fire" handle
- Stainless tub, #4 satin finish
- Stainless trim: custom finish
#6 satin stainless
#7 polished stainless
#8 polished stainless

See Page 5. For Dimensions

J.L. Security Cabinets for fire extinguishers, fire hoses or valves are constructed to meet maximum security requirements in areas where fire protection is required. Available in surface mount, semi-recessed (2 1/2" trim) and fully recessed styles. All cabinets combine 12 gauge steel or 14 gauge stainless steel door with 14 gauge trim and tub. A variety of lock options are available as specified for master keyed applications.

SPECIFICATIONS

Materials

Door: Solid panel 12 gauge steel or 14 gauge stainless steel

Tub: 14 gauge steel

Trim: 14 gauge steel or stainless steel finish

Steel: White powder primer

Stainless Steel: #4 Satin Finish

Hinge: Heavy duty continuous hinge

Anchors: Heavy duty masonry anchors welded to frame on all recessed cabinets

Lock: Mortise Deadbolt Prep., Detention lock prep., or Detention Lock installed. Flush cup pull and security fasteners are also available

Model Size: Specify model based on wall depth and contents needed

Options

- Recessed flush cup
- Red powder coated finish (for steel only)
- Fire extinguisher or fire hose lettering in red, white or black
- **FIRE-FX™** fire-rated cabinet option*
- Duo panel door, with clear 1/2" Lexan glazing (contact factory for details)

*U.S. Patent No. 5,171,079

Labeled for 1 and 2-hour combustibile and non-combustibile walls



SFC 15
W/DETENTION DEADBOLT



NEW! SCHOOL CABINET
CS2015F17



Mortise Deadbolt with Cylinder

NEW! SCHOOL CABINETS

JL introduces our new School cabinet designed after our line of security cabinets. The School cabinet is built to last. The steel cabinet has a 12 gauge door and frame with a 16 gauge tub and a 1/4" full tempered glass door. The School cabinet is available in recessed, semi-recessed and surface mounted trim options.



Mortise Deadbolt Lock

LOCK AND HINGE OPTIONS

Mortise Prep Options

This includes either a mortise cylinder deadbolt prep, or a mortise cylinder cam lock prep. In either case, a mortise cylinder of 1 1/8" diameter by 15/16" length is provided and installed by others. Please ask for our Detail & Submittal sheet for the specific details.



Detention Deadbolt Lock

Detention Lock, Prep or Installed

The door can be prepared for a heavy duty detention deadlock provided and installed by others. Or, one of our line of detention deadlocks (Series DDL) can be factory-installed. Standard Model DDL-2 features an investment cast steel case, bronze alloy cylinder, stainless steel deadbolt, and five hard brass lever tumblers. Contact factory for further details on this model, as well as on the slam-latch Model DDL-1.

DIMENSIONS IN INCHES

MODEL			TUB I.D.			*FRAME O.D.		WALL OPENING: NON-RATED			WALL OPENING: FX OPTION			K.O. LOCATION		SHIP WT. LBS	ACCOMMODATES FOLLOWING JL EXTINGUISHERS
Steel	Stainless Steel	Trim Style	A	B	C	E	F	W	H	D	W	H	D	J	K		
SFC-11	SSFC-31	Flush Trim	10 1/2"	24"	6 1/2"	12 1/2"	26"	11 1/2"	25"	7"	12 1/2"	26 1/2"	7 1/2"	n/a	n/a	25	Cosmic 2 1/2E, 5E, 5X, 6E, 10E Galaxy 2 1/2, 5, 5 1/2, 6, 10 Sentinel 5
SFC-12		2 1/2"	10 1/2"	24"	6 1/2"	12 1/2"	26"	11 1/2"	25"	4 1/2"	12 1/2"	26 1/2"	5"	n/a	n/a	26	
SFC-13	SSFC-33	Surf. Mtd.	13"	26 1/2"	8"	13"	26 1/2"	-	-	-	-	-	-	n/a	n/a	26	
SFC-15	SSFC-35	Flush Trim	12"	27"	8 1/2"	14"	29"	13"	28"	9"	14"	29 1/2"	9 1/2"	n/a	n/a	33	Any Cosmic, Galaxy, Grenadier P, Sentinel 5, 10 Mercury 2 1/2, 5 Any Saturn
SFC-16		2 1/2"	12"	27"	8 1/2"	14"	29"	13"	28"	6 1/2"	14"	29 1/2"	7"	n/a	n/a	34	
SFC-17	SSFC-37	Surf. Mtd.	14 1/2"	29 1/2"	10"	14 1/2"	29 1/2"	-	-	-	-	-	-	n/a	n/a	34	
SVC-11	SSVC-31	Flush Trim	18"	18"	8 1/2"	20"	20"	19"	19"	9"	20"	20 1/2"	9 1/2"	5"	5"	32	2 1/2 Fire Department Valve
SVC-12		2 1/2"	18"	18"	8 1/2"	20"	20"	19"	19"	6 1/2"	20"	20 1/2"	7"	4 1/4"	4 1/4"	33	
SVC-13	SSVC-33	Surf. Mtd.	20 1/2"	20 1/2"	10"	20 1/2"	20 1/2"	-	-	-	-	-	-	n/a	n/a	33	
SHC-11	SSHHC-31	Flush Trim	32 3/4"	34 3/4"	8"	34 3/4"	36 3/4"	33 3/4"	35 3/4"	8 1/2"	34 3/4"	37 1/4"	9"	4"	4"	88	1 1/2 or 2 1/2 x 1 1/2 rack unit and both 2 1/2 Fire Department Valve and a fire extinguisher
SHC-12		2 1/2"	32 3/4"	34 3/4"	8"	34 3/4"	36 3/4"	33 3/4"	35 3/4"	6"	34 3/4"	37 1/4"	6 1/2"	4"	4"	95	
SHC-13	SSHHC-33	Surf. Mtd.	36 3/4"	38 3/4"	8"	36 3/4"	38 3/4"	-	-	-	-	-	-	n/a	n/a	104	
NEW! SCHOOL CABINETS																	
CS2015F17		Flush Trim	12"	27"	7 3/4"	14"	29"	13"	28"	8"	14"	29"	8 3/4"	n/a	n/a	33	Any Cosmic, Galaxy, Grenadier P, Sentinel 5, 10 Mercury 2 1/2, 5 Any Saturn
CS2017F17		2 1/2"	12"	27"	7 3/4"	14"	29"	13"	28"	5 1/2"	14"	29"	6 1/2"	n/a	n/a	34	
CS2013F17		Surf. Mtd.	14 1/2"	29 1/2"	8"	14 1/2"	29 1/2"	-	-	-	-	-	-	n/a	n/a	34	

* ADD 1" TO FRAME DIMENSIONS FOR CABINETS WITH FX OPTION

CLASSIC SERIES (Galvanized Steel)

BENEFITS

- Galvanized steel for rust resistance
- Exclusive twin lock top for strength and protection
- Keyed-alike cylinder locks mounted on front to reduce rust from the elements
- Powder coat white finish

construction for longer lasting workability. .060 acrylic is standard along with breaker bar and chain. The Classic Series provides superior protection against theft, vandalism, weather, dust and soil. Supplied with standard cylinder lock. Durable galvanized steel housing with white powder coat finish resists rust and corrosion.



CLASSIC 926AZ30
W/HAMMER & CHAIN
OPTIONAL ORANGE FINISH



CLASSIC 9163Z30
W/HAMMER & CHAIN

GENERAL DESCRIPTION

These fire extinguisher cabinets are designed with an exclusive double strength "Twin-Top"

OPTIONS

- "T" trim slides over cabinet for recessed applications.
- Optional powder paint colors - call factory

DIMENSIONS IN INCHES

PREVIOUS MODEL NUMBER	TRIM & DOOR MATERIAL & SERIES #			TUB I.D.			WALL OPENING			WEIGHT LBS. EACH	MASTER PKG.	ACCOMMODATES FOLLOWING JL EXTINGUISHERS
	Gal. Steel	Aluminum	Trim Style	W	H	D	W	H	D			
99G	9163Z30	9123Z30	Surf. Mtd.	8 1/2"	19 13/16"	6 1/4"	-	-	-	7	6	Cosmic 2 1/2E Mercury 2 1/2, 5
99GT	916AZ20	916AZ30	2 3/4" Rt	8 1/2"	19 13/16"	6 1/4"	9"	20 5/16"	3 3/4"	8	6	
999G	9263Z30	9223Z30	Surf. Mtd.	9 1/2"	25 3/4"	6 1/4"	-	-	-	9	4	Cosmic 6, 10lb Sentinel 5lb Mercury 5
999GT	926AZ30	922AZ30	2 3/4" Rt	9 1/2"	25 3/4"	6 1/4"	10"	26 1/4"	3 3/4"	10	4	
104GT	936AZ30	936AZ30	4 1/2" Rt	10 1/2"	29 3/4"	8 1/4"	11"	30 1/4"	4"	17	2	Cosmic 20lb Sentinel 5lb, 2 1/2 gal. water Mercury 11, 15 1/2
104G	9363Z30	9323Z30	Surf. Mtd.	10 1/2"	29 3/4"	8 1/4"	-	-	-	16	2	

SLIDE TRIM WITH LESS THAN 4" EXPOSURE MEETS ADA REQUIREMENTS.



CORNER VU

GENERAL DESCRIPTION

The Corner-Vu series is a unique triangular cabinet designed to be installed into any 90° corner application such as near entryways or hallway recesses. The quick installation is essentially the same as for a surface mounted cabinet requiring no opening into the wall. Unlike typical surface mounted units, however, the CV does not create an obstruction problem; rather, it merely "fills in" a corner. The CV is the only cabinet which offers the convenience of surface mounted installation, yet does not conflict with the 4" maximum projection criterion mandated by the Americans with Disabilities Act (A.D.A.) of 1990.



CORNER VU
8913F10

Cabinet Construction Specification And Selection

Steel DOOR and FRAME: Construction of cold rolled steel, white baked powder coat

Aluminum DOOR and frame: Aluminum door and frame with clear anodized finish

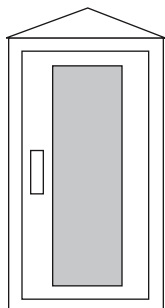
Stainless steel DOOR and frame: Type 304 stainless hand finished No. 4 satin finish on outer exposed surfaces

Door Styles: FG, DP, VDP and SP doors

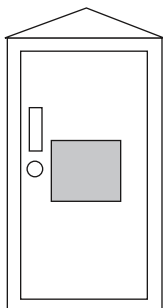
BG and FG/BG doors: Non-fail **SAF-T-LOK™** assembly, two keys provided

Option: Cam latch (for FG, DP, VDP or SP only) cylinder lock

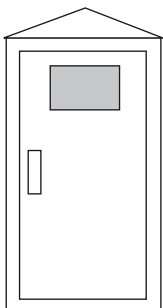
Options: FE letters in black, red, or white. FE letters in vertical or horizontal break glass hammer and chain



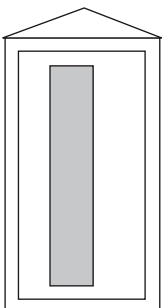
F10 FULL GLASS



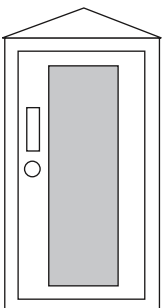
B20 GLASS WINDOW WITH SAF-T-LOK™



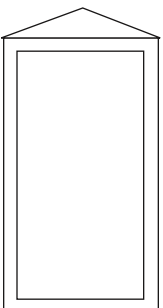
D10 DUO PANEL



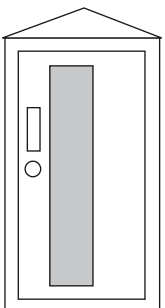
V10 VERTICAL DUO PANEL



G10 FULL GLASS WITH SAF-T-LOK™



S21 SOLID PANEL



W10 VERTICAL DUO PANEL WITH SAF-T-LOK™

DIMENSIONS IN INCHES

CORNER VU MODEL NUMBER				OUTER DIMENSIONS			ACCOMMODATES JL & SAMSON EXTINGUISHERS
Steel	Aluminum	StainlessSteel	Trim Style	W	H	D	
8913	8923	8933	Surf. Mtd.	15 3/4"	18"	8 1/8"	Cosmic 2 1/2E, 5E, 5X, Galaxy 2 1/2, 5, 5 1/2 Mercury 2 1/2, 5
8813	8833	8833	Surf. Mtd.	15 3/4"	24"	8 1/8"	Cosmic 2 1/2E, 5E, 5X, 6E, 10E, Galaxy 2 1/2, 5, 5 1/2, 6, 10 Sentinel 5 Mercury 2 1/2, 5

ECONOMYLINE SERIES

GENERAL DESCRIPTION

Cold rolled steel cabinet with gray hammertone baked on rust resistant finish. Cabinet is equipped with a sliding glass front and comes standard with breaker bar and chain, single strength glass and retainer clip. Other colors are available upon request.

The aluminum version of the above cabinet offers a corrosion resistant design which is ideal for extreme environments. Standard finish is white powder coat finish.

Available options include Samson brass padlocks and Abus padlock.



5113N20



5013N20
OPTIONAL RED FINISH



5023N20W

DIMENSIONS IN INCHES

PREVIOUS MODEL NUMBER	TRIM & DOOR MATERIAL NEW MODEL #			OUTER DIMENSIONS			WEIGHT LBS. EACH	MASTER PKG.	ACCOMMODATES JL & SAMSON EXTINGUISHERS
	Steel	Aluminum	Trim Style	W	H	D			
818	5013N20	5023N20	Surf. Mtd.	8 1/8"	18"	5 1/2"	5	6	Cosmic 2 1/2, 5 Mercury 2 1/2, 5
924	5113N20	5123N20	Surf. Mtd.	9 1/8"	24"	5 1/2"	7	4	Cosmic 10, Sentinel 5 Mercury 11
1028	5213N20	5223N20	Surf. Mtd.	10 1/8"	28"	8 1/4"	12.5	2	Grenadier P, Sentinel 15 Mercury 15

DECORLINE SERIES

GENERAL DESCRIPTION

Decorline series cabinets are the most economical means to recess a steel cabinet into a finished wall. They are ideal for multiple unit dwellings, hotels and motels, and other commercial areas where a recessed cabinet is desired at a modest cost. Finish is white powder coat on steel, and gray hammertone on steel. Other colors are available upon request. "TD" 928K models feature doors with full length piano hinge and hasp for padlock. Model 928K is an extension frame to attach into existing wall opening. Ideal for converting open tubs into break glass units.

DOOR STYLES CLASSIFICATIONS

- DL Full break glass door with **SAF-T-LOK™** cylinder and handle
- DH Full glass door with handle
- DHS Solid door with handle
- TDL Semi-recessed full break glass door with **SAF-T-LOK™** cylinder and handle
- TDH Semi-recessed full break glass door with handle
- TDHS Semi-recessed solid door with handle

FEATURES

Improved Security

These models offer cylinder lock and heavy gauge construction in steel or aluminum to reduce vandalism and increase permanence standards. Specify standard steel, or, for the extended durability and rust resistance of aluminum, designate with "A" suffix.

Design

Improved door style with **SAF-T-LOK™** eliminates hasp levers and padlocks. "Wrap around" door covers frame. Flexible glass clip holds glass in place. To open, grasp handle and pull door frame.

Excellent Appearance

Powder coat paint can be used as prime or finish coat.

Value

The DL and TDL series are excellent values offering the contractor considerable cost savings over "architectural" cabinets.

Ada Projection

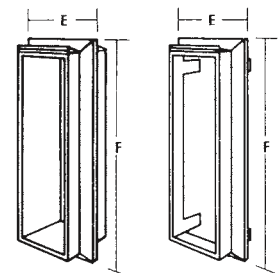
Models TDL and TDLA meet the ADA criteria of four inch maximum projection.



DECORLINE
5019G20

DIMENSIONS IN INCHES

PREVIOUS MODEL NUMBER	TRIM & DOOR MATERIAL & SERIES #			TUB I.D.			FRAME O.D.		WALL OPENING		
	Steel	Aluminum	Trim Style	W	H	D	E	F	W1	H1	D1
818T	501AN20	502AN20	2"	8 1/8"	18"	5 1/2"	11 1/8"	21"	9"	19"	4"
924T	511AN20	512AN20	2"	9 1/8"	24"	5 1/2"	12 1/8"	27"	10"	25"	4"
1028T	521AN20	522AN20	2"	10 1/8"	28"	8 1/4"	13 1/8"	31"	11"	29"	6"
1028T4	5218N20	5228N20	4 1/4"	10 1/8"	28"	8 1/4"	13 1/8"	31"	11"	29"	4"
928X	631AN20	—	2"	9 1/8"	28"	4 1/2"	12 1/8"	31"	9 1/4"	28 1/4"	2"
818DH	5019F20	5029F20	Surf. Mtd.	8"	17 7/8"	5 5/8"	8 1/8"	18"	—	—	—
818DHS	5019S21	5029S21	Surf. Mtd.	8"	17 7/8"	5 5/8"	8 1/8"	18"	—	—	—
818DL	5019G20	5029G20	Surf. Mtd.	8"	17 7/8"	5 5/8"	8 1/8"	18"	—	—	—
818TDH	5017F20	5027F20	2 1/2"	8"	17 7/8"	5 5/8"	11 1/4"	21 1/4"	9"	19"	3 1/4"
818TDHS	5017S21	5027S21	2 1/2"	8"	17 7/8"	5 5/8"	11 1/4"	21 1/4"	9"	19"	3 1/4"
818TDL	5017G20	5027G20	2 1/2"	8"	17 7/8"	5 5/8"	11 1/4"	21 1/4"	9"	19"	3 1/4"
924DH	5119F20	5129F20	Surf. Mtd.	9"	23 7/8"	5 5/8"	9 1/8"	24"	—	—	—
924DHS	5119S21	5129S21	Surf. Mtd.	9"	23 7/8"	5 5/8"	9 1/8"	24"	—	—	—
924DL	5119G20	5129G20	Surf. Mtd.	9"	23 7/8"	5 5/8"	9 1/8"	24"	—	—	—
924TDH	5117F20	5127F20	2 1/2"	9"	23 7/8"	5 5/8"	12 1/4"	27 1/4"	10"	25"	3 1/4"
924TDHS	5117S21	5127S21	2 1/2"	9"	23 7/8"	5 5/8"	12 1/4"	27 1/4"	10"	25"	3 1/4"
924TDL	5117G20	5127G20	2 1/2"	9"	23 7/8"	5 5/8"	12 1/4"	27 1/4"	10"	25"	3 1/4"



CROWLINE SERIES

The Crowline series provide recessed and semi-recessed cabinets in three trim and door materials: steel, aluminum and stainless steel respectively. Ideal for schools, hospitals, hotels, motels, apartments, supermarkets, etc. These cabinets come with a great variety of combination metal-glass door styles and sizes to suit most all portable fire extinguishers.

Crowline cabinets come standard with a continuous hinge. These flush cabinet doors consist of a formed design with 5/8" nominal thickness. The doorstop therefore extends 5/8" into the tub. The standard door hardware for non-break glass doors consists of zinc plated pull handles and roller catch. A cylinder lock with flexible cam and pull handle is standard for **SAF-T-LOK™**. All cabinets feature a 1 3/4" face width on the trim and door. All semi-recessed cabinets with a 2 1/2" RT have trims with a rolled edge construction. The surface mount stainless steel trims also have rolled edge construction and comes standard with a galvanized back. All other trim configurations are square edged.

SPECIFY

- FIRE-FX™** Option for fire-rated walls
- ADAC Option: Maximum projection for thin walls within A.D.A. guidelines
- Door/frame finish (select one)
 - Steel: electrostatic white powder coated finish
 - Aluminum: clear anodized aluminum finish
 - Stainless steel: #4 stainless steel finish
- 1 3/4" face trim on frame and door
- Rolled edge construction on 2 1/2" RT frames.

1. Available Door Styles (Select One)

- F Full glass
- G Full glass with **SAF-T-LOK™**
- D Duo panel
- E Top duo panel with **SAF-T-LOK™**
- A Center duo panel with **SAF-T-LOK™**
- S21 Solid with handle
- L22 Solid with lock
- B Solid with glass insert and **SAF-T-LOK™**
- V Contemporary V
- W Contemporary V with **SAF-T-LOK™**

2. Available Door Glazing (Select One)

- 10 Clear acrylic
- 13 Clear wire glass
- 15 Bronze acrylic
- 16 Gray acrylic

- 17 Clear tempered glass
- 18 Laminated safety glass

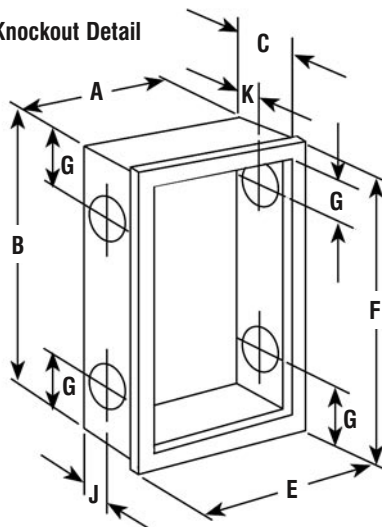
3. Options (Select Any)

- Aluminum tub, mill finish
- Break glass hammer and chain
- Color anodized door and trim; academy
- Color powder coated tub (red or black)
- Color powder coated door and trim (red or black); ambassador
- FE letters in black, red or white
- **FIRE-FX™** fire rated tub option
- Futura "fire" handle
- Stainless tub, #4 satin finish
- Stainless door and trim, #7 polished finish, cosmopolitan

ORDERING PROCEDURE

- Is the wall fire-rated? If so, select **FIRE-FX™** option, unless the cabinet is trimless or surface mounted. (Note: aluminum cabinets with 2 1/2" trim styles may have frame modifications in order to maintain the fire rating of the wall.)
- Does the A.D.A. code apply in the areas the cabinets is stationed? If so, select a cabinet with one of the following trim styles: trimless, flat trim, 1 1/4" and 2 1/2" return trim.
- Select tub I.D.: according to size most suited for fire extinguisher and wall opening.
- Select trim material: steel, aluminum, stainless steel.
- Select trim style: trimless, flat trim, 1 1/4" and 2 1/2" surface mount.
- Select door style: (fifth digit of part #)
- Select door glazing: (last two digits of part #)

Knockout Detail



HOSE CABINET KNOCKOUTS FOR 1 1/2" OR 2 1/2" DIAMETER PIPE.

Knockouts (K.O.'s) provided centered, one side, top and bottom-other side offset, top and bottom. All 6" K.O.'s offset both sides 2 1/2" x 4". Offset is for semi-recessed applications (see chart below). Trimless K.O.'s centered only - no offset. For surface mount cabinets knockouts are provided only upon application when exact location is known. (P.O.A.)

Knock-outs are not provided on **FIRE-FX™** cabinets. Instructions for the knockouts in the fields are provided and must be strictly adhered to maintain fire-rating.

Model 8000 Series features a shelf 12" from the bottom of the tub. The area below the shelf houses a 2 1/2" angle valve. Area above the shelf houses fire extinguisher. This model is also available without shelf when specified.

See Page 15. For Dimensions



 **CROWLINE 6517V10**
RED POWDER DOOR FRAME
AND TUB



 **CROWLINE 6337F10**



 **CROWLINE 6325A10**
WITH **SAF-T-LOK™**



 **CROWLINE 6415B20FX**
WITH **SAF-T-LOK™**




GRENADIER: PRESSURIZED WATER

General Data: The "water press" extinguisher contains water and compressed air. This unit is operated by simply squeezing the lever which opens the valve allowing the water to be forced out. It's especially effective on deep seated Class A fires. Units shipped empty.

Features: Butt-welded 304-L stainless steel cylinder (eliminates all internal and external crevices). Rugged stainless steel discharge lever and fixed carry handle. Heavy duty, brass, chrome-plated valve body. Replaceable molded valve stem seal. U/L labeled chemical engine hose. Visual pressure gauge. Pull pin. Upright squeeze grip operation. **CLASS A FIRES**



COSMIC: MULTI-PURPOSE CHEMICAL

General Data: These units contain specially fluidized and siliconized mono ammonium phosphate powder which smothers and breaks the chain reaction on Class B fires, fuses and insulates Class A fires, and is a non-conductor of electricity. Truly an all purpose extinguisher, the ABC Dry Chemical is the most popular unit currently on the market.

Features: Heavy duty steel cylinder. Rugged metal valve and siphon tube. Replaceable molded valve stem seal. Exclusive corrosion and impact resistant powder coat finish. Visual pressure gauge. Pull pin. Upright squeeze grip operation approved to -65°F (-52°C) Non-Toxic.

CLASS A,B,C FIRES



SENTINEL: CARBON DIOXIDE

General Data: This extinguisher contains liquid carbon dioxide under pressure which is released by depressing the valve lever. The discharge, which changes into a gas and appears as a smothering cloud of white snow, is then directed to the fire through a funnel shaped horn. The clean agent is particularly effective on small Class B fires and is a non-conductor of electricity.

Features: High pressure aluminum cylinder. Absolutely rust free and up to 30% lighter than CO2 units with steel cylinders. O-Ring seal, straight thread brass valve fits all sizes. **CLASS B,C FIRES**



GALAXY: REGULAR DRY CHEMICAL

General Data: These models contain a siliconized sodium bicarbonate base, the traditional dry chemical design. The Galaxy series can be an economical choice for Class B and Class C fire protection, due to generally lower recharging costs. Clean up after use is relatively easy because the chemical does not normally bake to a hot metal surface

Features: Heavy duty steel cylinder. Rugged metal valve and siphon tube. Replaceable model valve stem seal. Exclusive corrosion and impact resistant powder coat finish. Visual pressure gauge. Pull pin. Upright squeeze grip operation on Approved to -65°F (-52°C) Non-Toxic.

CLASS B,C FIRES



MERCURY: HALOTRON 1

General Data: JL introduces a new line of clean agent portable fire extinguishers which have the EPA approved, government accepted and specified clean extinguishing agent Halotron 1. This agent discharges as a liquid, then quickly evaporates leaving no residue to clean up afterwards.

Features: Drawn steel cylinders with steel siphon tubes. Power cone discharge stream. Corrosion resistant paint finish. Visual pressure gauge. Temperature range from -40F to +120F. **CLASS A, B, C FIRES**



SATURN: WET CHEMICAL

General Data: These units make for the ideal choice for commercial restaurant applications. These extinguishers have been designed to offer the best possible portable fire protection available to supplement pre-engineered restaurant appliance fire suppression systems. A low "pH" potassium acetate solution is discharged in a fine mist that provides excellent range while it prevents splashing, creating an effective saponification foam type blanket necessary for suppressing liquid cooking media fires.

Features: Protective nozzle tip orifice seal. Industry standard discharge horn and nozzle design. Nameplate showing only the class "K" symbol. Non-metallic nozzle tip finger guard. Full stainless steel extinguisher shell construction. **CLASS K FIRES**



CLASS A FIRES - PAPER, WOOD, CLOTH, ETC., WHERE QUENCHING BY WATER OR INSULATING BY DRY CHEMICAL IS EFFECTIVE.



CLASS B FIRES - FLAMMABLE LIQUIDS WHERE SMOTHERING ACTION IS REQUIRED.



CLASS C FIRES - LIVE ELECTRICAL EQUIPMENT WHERE THE NON-CONDUCTIVITY OF EXTINGUISHANT IS VITAL.



CLASS K FIRES CALL JL INDUSTRIES FOR MORE INFORMATION

FIRE EXTINGUISHER SIZES, CAPACITY, RATINGS IN IMPERIAL

MODEL	NOMINAL CAPACITY	SHIPPING WEIGHT	CYLINDER DIAMETER	OVERALL HEIGHT	OVERALL WIDTH	SHIPPING VOLUME CU. FT.	U/L RATING	MARK BRACKET	U.S.C.G. ** APPROVED
Grenadier P	2 1/2 gallons	7 1/2 lbs.	7"	24 1/2"	9"	1.1	2A	MB810	yes
Cosmic 2 1/2E	2 1/2 lbs.	5 1/2 lbs.	3"	14 3/4"	5 3/4"	.2	1A -10BC	MB817*	yes
Cosmic 5E	5 lbs.	9 1/4 lbs.	4 1/4"	15 1/4"	7 1/4"	.3	2A -10BC	MB818	yes
Cosmic 5X	5 lbs.	9 1/4 lbs.	4 1/4"	15 1/4"	7 1/4"	.3	3A -40BC	MB818	yes
Cosmic 6E	6 lbs.	12 lbs.	5"	16"	7 3/4"	.4	3A -40BC	MB808	yes
Cosmic 10E	10 lbs.	16 3/4 lbs.	5"	20 1/2"	7 3/4"	.5	4A -60BC	MB846	yes
Cosmic 20E	20 lbs.	39 lbs.	7"	24"	10 1/4"	.9	20A -120BC	MB810	yes
Sentinel 5	5 lbs.	14 lbs.	5 1/4"	17 3/4"	8 1/4"	.6	5BC	MB862	yes
Sentinel 10	10 lbs.	28 1/4 lbs.	7"	24"	12"	1.2	10BC	MB810	yes
Sentinel 15	15 lbs.	37 3/4 lbs.	7"	30"	12"	1.5	10BC	MB864	yes
Sentinel 20	20 lbs.	50 3/4 lbs.	8"	30"	13"	1.8	10BC	MB811	yes
Galaxy 2 1/2	2 1/2 lbs.	5 1/2 lbs.	3"	14 3/4"	5 3/4"	.2	10BC	MB817*	yes
Galaxy 5	5 lbs.	9 lbs.	4 1/4"	15 1/4"	5 1/2"	.3	10BC	MB818*	yes
Galaxy 5 1/2	5 1/2 lbs.	9 1/2 lbs.	4 1/4"	15 1/4"	7 1/4"	.4	40BC	MB818	yes
Galaxy 6	6 lbs.	13 lbs.	5"	16 1/4"	8 1/2"	.4	40BC	MB808	yes
Galaxy 10	10 lbs.	18 lbs.	5"	20 1/2"	8 1/2"	.5	60BC	MB846	yes
Galaxy 20	20 lbs.	38 1/2 lbs.	7"	24"	10 1/4"	.9	120BC	MB810	yes
Mercury 2 1/2	2 1/2 lbs.	6 1/4 lbs.	3"	14 7/8"	6 1/8"	.25	2BC	MB817	yes
Mercury 5	5 lbs.	10 lbs.	4 1/4"	15 1/4"	6 1/8"	.3	5BC	MB818	yes
Mercury 11	11 lbs.	23 lbs.	7 1/4"	20 1/2"	9 1/4"	1.0	1A-10BC	MB822	yes
Mercury 15 1/2	15 1/2 lbs.	26 1/2 lbs.	7 1/4"	20 1/2"	9 1/4"	1.0	2A-10BC	MB822	yes
Saturn 15	6 liters	15 lbs.	7"	19 1/2"	14"	1.0	K	MB810	-
Saturn 25	2 1/2 gallons	19 lbs.	7"	25"	14"	1.1	K	MB810	-

* INDICATES MARK BRACKET STANDARD. J HOOK WALL BRACKET STANDARD WITH ALL OTHER EXTINGUISHERS. ** UNITED STATES COAST GUARD APPROVED. NOTE: J.L. EXTINGUISHERS ARE SHIPPED FULLY CHARGED WITH THE EXCEPTION OF THE GRENADIER P AND THE SATURN 15 AND 25. NFPA REGULATIONS ALSO REQUIRE EXTINGUISHERS TO BE INSPECTED WHEN INITIALLY PLACED IN SERVICE AND ALL LOCAL FIRE CODE AND TAGGING REQUIREMENTS MUST BE ADHERED TO. ALL FIRE EXTINGUISHER SIZES ARE NOMINAL.

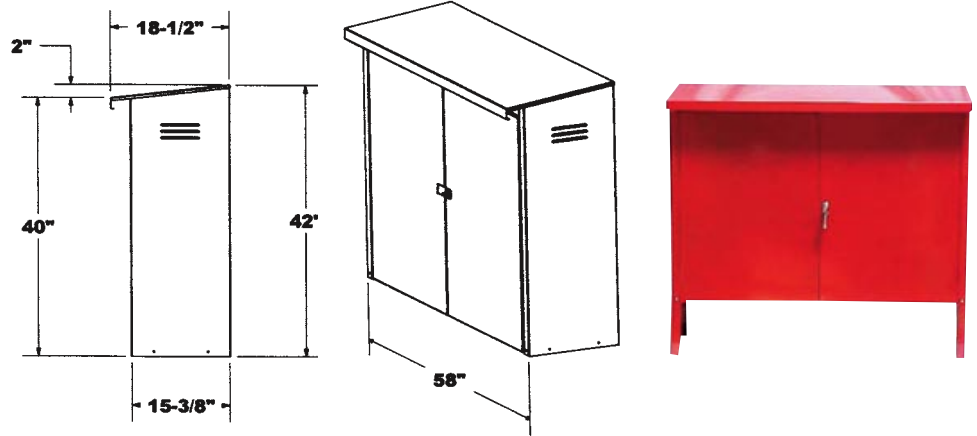
HOSE EQUIPMENT CABINET

STANDARD FEATURES

- 16 gauge galvanized steel
- Red powder coat finish
- Removable adjustable shelf
- Louvers on both sides of cabinet for ventilation
- 58" wide x 42" high x 15" deep
- Hasp

OPTIONS

- "L" locking chrome handle
- 12 gauge, cold rolled steel formed legs

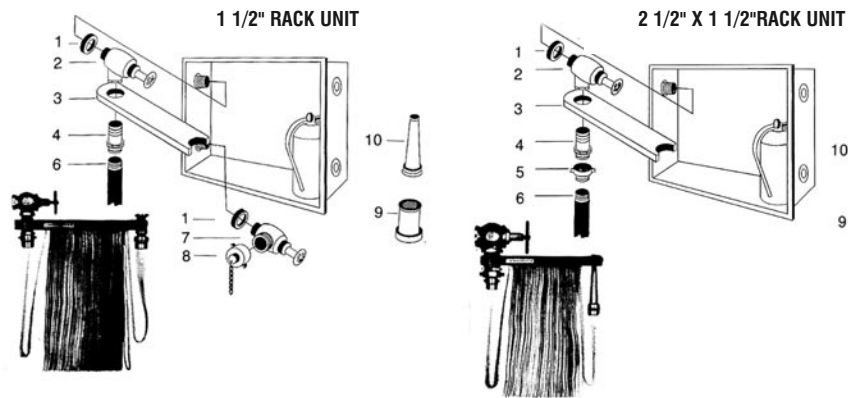


FIRE HOSE RACK UNITS

GENERAL DESCRIPTION

Samson rack units are made of the highest quality brass and hose on the market. Combined, they form one of the most rugged and economical interior hose systems available.

All rack units consist of one each of the following: escutcheon plate, angle valve, rack, nipple, reducer (2 1/2" x 1 1/2" size only), couplings (one set), nozzle and hose.



HOSE RACK DIMENSIONS					
	A	B	C	D	E
50'					
1.5"	1 1/2	17 3/8	19 9/16	17 1/4	4 1/8
2.5"	2 1/8	19	20 3/8	17 3/4	4 1/8
75'					
1.5"	1 1/2	21 3/8	19 9/16	17 3/4	4 1/8
2.5"	2 1/8	23	20 3/8	17 3/4	4 1/8
100'					
1.5"	1 1/2	27 7/8	19 9/16	17 3/4	4 1/8
2.5"	2 1/8	29 1/2	20 3/8	17 3/4	4 1/8

NOTE: ALL DIMENSIONS ARE NOMINAL AND SUBJECT TO MANUFACTURING TOLERANCES. SPECIFICATIONS SUBJECT TO CHANGE WITHOUT NOTICE.

MARK BRACKET

Rugged all steel construction assuring secure holding characteristics under severe vibration/rough terrain conditions. Mark Brackets are necessary for Coast guard approval. Finish: Red enamel with the exception of MB810 and MB811 which are black enamel. **NOTE:** Specify extinguisher being used with bracket.

HOSE RACK DIMENSION DETAIL

1. Escutcheon plate: 1 1/2" or 2 1/2"
2. Brass angle valve: 1 1/2" or 2 1/2"
3. Rack: 1 1/2" or 2 1/2"
4. Rack nipple: 1 1/2" or 2 1/2"
5. Reducer: 2 1/2" or 1 1/2"
6. Coupling: 1 1/2"
7. Brass angle valve: 2 1/2"
8. Cap and chain: 2 1/2"
9. Fog nozzle: 1 1/2"

ORDERING PROCEDURE

Follow Steps 1-7 To Create Part Number

STEP 1: Rack materials (select)

1 _____ steel

STEP 2: Rack finish (select one)

7 _____ red

STEP 3: Brass finish (select one)

2 _____ rough and satin brass

STEP 4: Nozzle type (select one)

F _____ fog, lexan or brass

STEP 5: Size (select one)

-1- _____ 1 1/2"

-21- _____ 2 1/2" x 1 1/2"

STEP 6: Length of hose (select one)

50 _____ 50'

75 _____ 75'

100 _____ 100'

STEP 7: Thread type (select)

NST _____ National Standard Thread



2.



9.



3.



7.



5.



4.



10.



11.



12.



8.



1.



6.



1FB



13.



14.



15.



16.



17.



18.



19.



20.



21.

DECALS AND DIE CUT LETTERING

1. Decal - 4" x 4" - "WARNING" #DRWF
2. Decal - 4 x 8 3/4" - #DFFH
3. Decal - 2 1/4" x 4" - #DRBGR
4. Decal - 1 1/4" x 4" - #DWFE
5. Decal - 3" x 4" - #DRFER
6. Decal - 11 3/4" x 3 1/2" - #DRFA
7. Decal - 1" x 4 1/4" - #PHCDRED
8. Decal - 6" x 6" - #DFDVO
9. Decal - 4" x 9" - #1403
10. Decal - 7 1/8" x 2 1/4" - #DHRFE
11. Decal - 7 1/8" x 2 1/4" - #DHWFE
12. Decal - 7 1/8" x 2 1/4" - #DHBFE

13. Decal - 2" x 19" - #DCVRFE
14. Decal - 2" x 19" - #DCVWFE
15. Decal - 2" x 19" - #DCVBFE
16. Die cut - 3/4" x 18" - vertical, red, #FELVR
Die cut - 3/4" x 18" - vertical, red, #FELVRR (reverse)
17. Die cut - 3/4" x 18" - vertical, white, #FELVW
Die cut - 3/4" x 18" - vertical, white, #FELVWR (reverse)
18. Die cut - 3/4" x 18" - vertical, black, #FELVB
Die cut - 3/4" x 18" - vertical, black, #FELVBR (reverse)
19. Die cut - 2 1/4" x 7 3/4" - horizontal, red, #FELHR
20. Die cut - 2 1/4" x 7 3/4" - horizontal, white, #FELHW
21. Die cut - 2 1/4" x 7 3/4" - horizontal, black, #FELHB

THE ROYAL SERIES

Royal fire blanket cabinets come in two basic designs. The Royal 1FB is a roller type for emergency use. The enclosed blanket is attached to the vertical roller and comes with arm loops to enable a person to wrap themselves in the blanket in one continuous motion. The Royal 2 FB is a handy "drop" type with folded blanket. Both units are surface mounted. Each comes with a nominal 62" x 84", 3 1/2 pound, processed wool fire blanket, which meets the Flammable Fabrics Act: Flammability of Clothing Textiles, Title 16, CFR1610.

DIMENSIONS IN INCHES

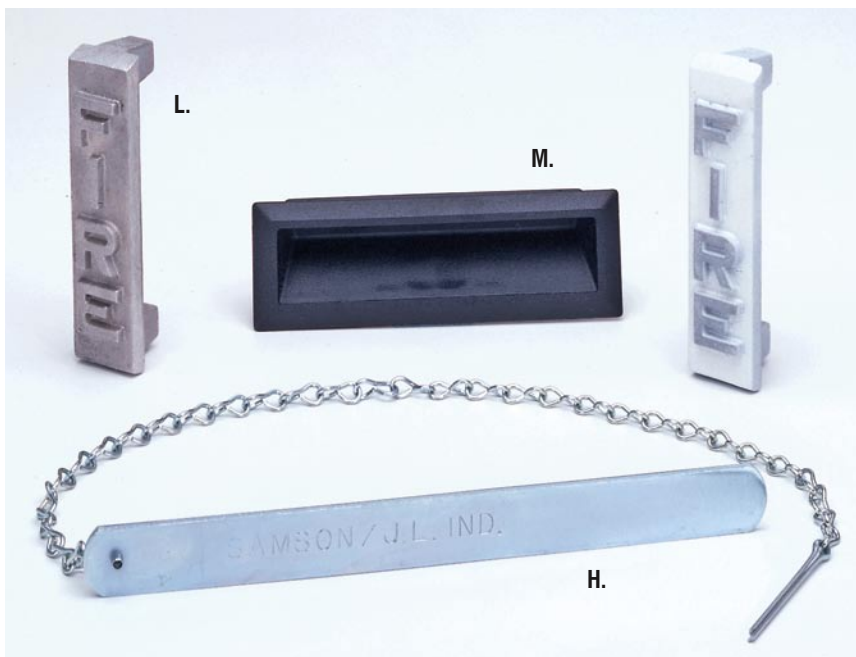
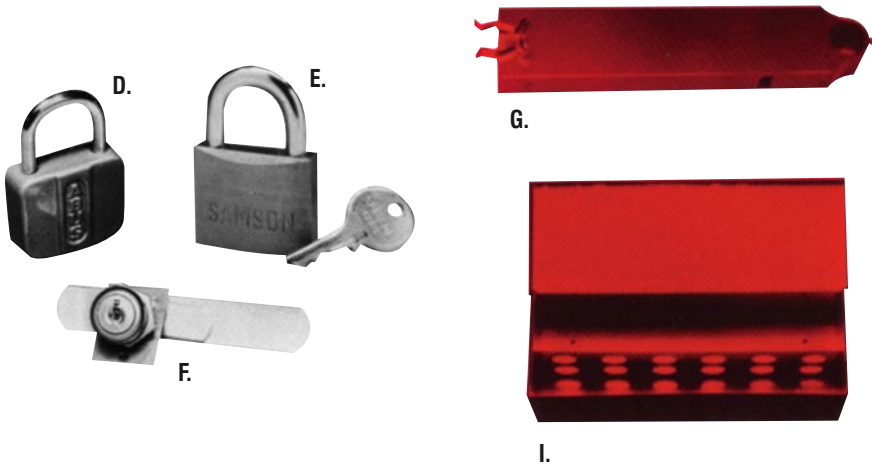
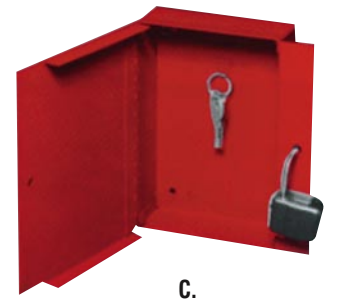
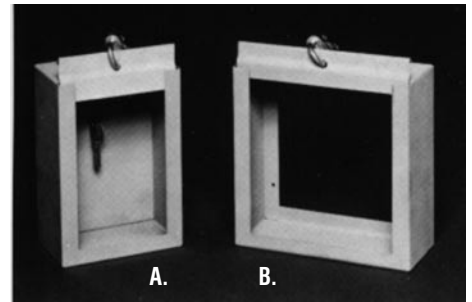
Series #	Trim Style	TUB I.D.			FRAME O.D.	
		A	B	C	E	F
1 FB	Surf. Mtd.	6 1/2"	68"	4 1/2"	6 1/2"	68"
2 FB	Surf. Mtd.	16"	13"	5"	16"	13"



2FB

ACCESSORIES

- A. Security lock box 4" x 6" x 2 1/2"
- B. Security lock box alarm cover
6" x 6" x 2 1/2" (3 1/2")
- C. Fire department lock box 4" x 6" x 1 1/2"
- D. Keyed alike Abus padlock
- E. Samson brass keyed alike padlock
- F. Break glass lock lever assembly LL24-KIT
- G. Fire hose rack - 14", 16" and 18"
- H. Breaker bar with chain
- I. Sprinkler head box - for 12 each of 1/2" or 3/4" sprinkler heads
- J. Axe brackets - heavy gauge steel - red enamel finish
- K. Axe cabinet - 16" x 42" x 4" silver gray hammertone enamel finish axe n.i.c.
- L. Futura "FIRE" handle
- M. ADAC flush pull handle
- N. LBLA16 lockbox L.A.F.D. with red decal, 16 gauge, 5" x 5" x 1 1/2" approved lockbox for L.A. county



COMMANDER ALARM

Easy to install cabinet alarms protect against theft or tampering. The Commander Alarm is an economical choice. (shown here)



EN-GUAGE™ FIRE EXTINGUISHER MONITORING TECHNOLOGY

EN-Gauge is a UL Listed, multi-patented active monitoring technology for fire extinguishers. EN-Gauge technology enables fire extinguishers to become fully supervised components of a monitored alarm system. The active monitoring provided by EN-Gauge technology signals an alert when a portable fire extinguisher falls below a safe operating pressure, when an extinguisher is removed from its designated location, or when access to the extinguisher is obstructed. EN-Gauge technology utilizes solid-state electronics housed in the extinguisher's standard spiral wound Bourdon tube pressure gauge and in the accompanying wall-mounted Sensor Interface Module (SIM). The SIM provides both normally open and normally closed outputs for direct interface with most types of alarm systems. Contact the factory for more information on this new product.

GUIDE SPECIFICATION

SECTION 10520

PART 1: GENERAL

1.01 Work Included

- A. Fire Extinguishers
- B. Cabinets
- C. Accessories

1.02 Related Work

- A. Section 09900-Field Painting
- B. Section 15320-Fire Sprinkler Systems
- C. Section 15375-Standpipe and Hose Systems

1.03 References

- A. NFPA10-Portable Fire Extinguishers
- B. UBC 7-5 (ASTM E814-97) & UBC 7-1 (ASTM E119-97) under positive pressure fire rated cabinets fabricated in accordance to measure, restore, perform.
- C. Americans with Disabilities Act 1990 - Maximum 4" cabinet projection for corridors.

1.04 Quality Assurance

- A. Conform to NFPA 10 requirements for portable fire extinguishers.
- B. Provide fire extinguishers, cabinets and accessories by a single manufacturer.
- C. Conform to UBC 7-5 (ASTM E814-97) & UBC 7-1 (ASTM E119-97) for fire resistive wall performance where necessary.

- D. Conform to Americans with Disabilities Act 1990 on maximum cabinet projection of 4" incorridors where necessary.

1.05 Submittals

- A. Submit brochure and product data in compliance with Section 01340.

1.06 Submittals

- A. Package, handle, deliver, and store at the job site in a manner that will avoid damage. Damaged equipment will be rejected.

PART 2: PRODUCTS

2.01 Acceptable Manufacturers

- A. Where shown on the drawings, provide fire extinguishers, cabinets, accessories manufactured by J.L. Industries, Inc., 4450 West 78th Street Circle, Bloomington, MN 55435, (952) 835-6850, Fax: (952) 835-2218

2.02 Fire Extinguishers

- A. Water Type: J. L. Industries Grenadier P
- B. Dry Chemical Type: J. L. Industries Cosmic or Galaxy Series
- C. Carbon Dioxide Type: J. L. Industries Sentinel Series
- D. Wet Chemical Type: J. L. Industries Saturn Series.
- E. Mercury Series

2.03 Fire Extinguisher Cabinets

- A. Where indicated on drawings, provide J.L.'s _____ Series, model number _____ door. Door and trim to be fabricated from (cold-rolled steel, aluminum, stainless steel). Color anodized aluminum, special painted surfaces and graphics as indicated.
- B. Provide cabinets with fire-rated option, if applicable.

2.04 Accessories

- A. Fire Blankets and Cabinets
- B. Extinguisher Brackets
- C. Cabinet Alarms

PART 3: EXECUTION

3.01 Installation

- A. Install items included in this section in locations and at mounting heights indicated, or if not indicated, at heights to comply with applicable regulations of governing authorities.
 1. Prepare recesses in walls for fire extinguisher cabinets as required by type and size of cabinet and style of trim and to comply with manufacturer's instructions.
 2. Securely fasten mounting brackets and fire extinguisher cabinets to structure, square and plumb, to comply with manufacturer's instructions.

MANUFACTURING/WAREHOUSING LOCATIONS

JL INDUSTRIES INCORPORATED
 4450 W. 78th Street Circle, Bloomington, MN 55435
 Phone: 952-835-6850 FAX: 952-835-2218
 e-mail: jl@jlindustries.com
 Web Site: www.jlindustries.com

JL EAST COAST WAREHOUSE
 1231 Rank Mill Rd.
 Lancaster, PA 17602
 Phone: 800-554-6077

JL ATLANTA WAREHOUSE
 4713 Hammermill Road
 Tucker, GA 30084
 Phone: 800-780-7501

JL SOUTH WAREHOUSE
 5131 Sharp Street
 Dallas, TX 75247
 Phone: 800-554-6077

SAMSON PRODUCTS INCORPORATED
 6285 Randolph Street, Commerce, CA 90040
 Phone: 323-726-9070 FAX: 323-726-9068
 email: sales@samsonproducts.com
 website: www.samsonproducts.com

THOMAS ENTERPRISES
 5765 Corporation Circle, Fort Myers, FL 33905
 Phone: 941-693-7500 FAX: 941-693-7501
 email: sales@thomase.com
 Website: www.thomase.com

